

EPSON®

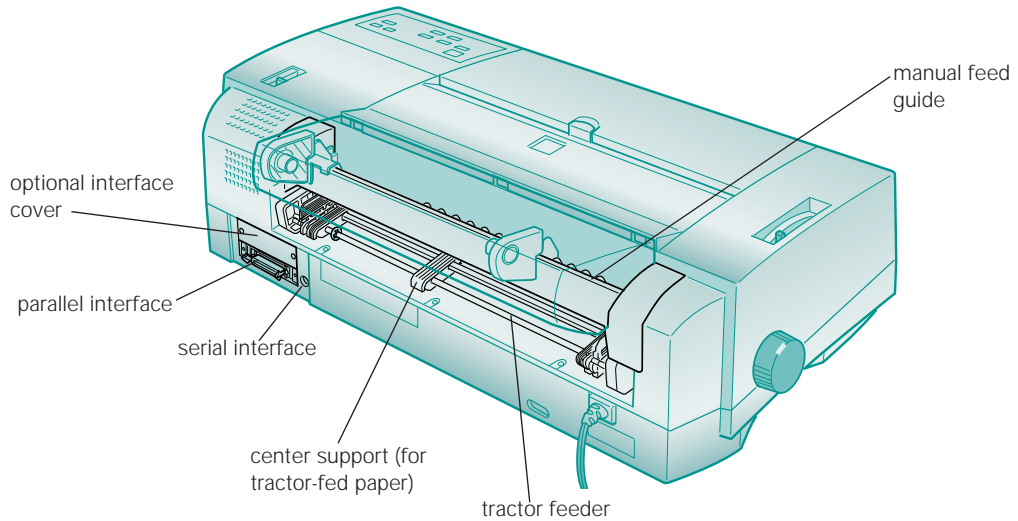
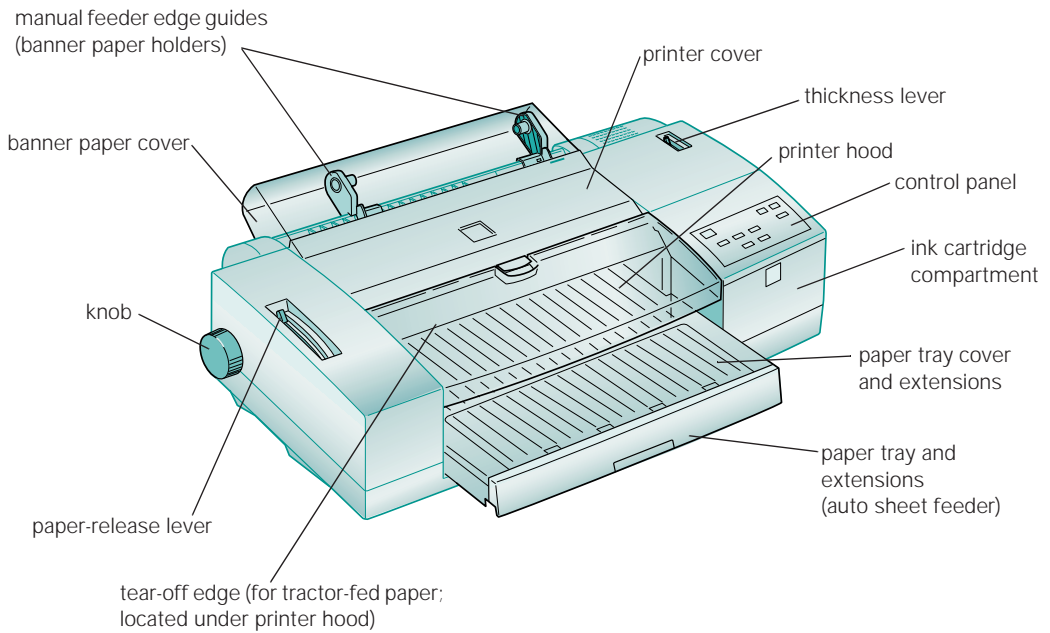
EPSON STYLUS® COLOR

3000

User's Guide



Printed on recycled paper with at least 10% post-consumer content.



All rights reserved. No part of this publication may be reproduced, stored in a retrieval system, or transmitted in any form or by any means, electronic, mechanical, photocopying, recording, or otherwise, without the prior written permission of SEIKO EPSON CORPORATION. The information contained herein is designed only for use with this EPSON printer. EPSON is not responsible for any use of this information as applied to other printers.

Neither SEIKO EPSON CORPORATION nor its affiliates shall be liable to the purchaser of this product or third parties for damages, losses, costs, or expenses incurred by purchaser or third parties as a result of: accident, misuse, or abuse of this product or unauthorized modifications, repairs, or alterations to this product, or (excluding the U.S.) failure to strictly comply with SEIKO EPSON CORPORATION's operating and maintenance instructions.

SEIKO EPSON CORPORATION shall not be liable for any damages or problems arising from the use of any options or any consumable products other than those designated as Original EPSON Products or EPSON Approved Products by SEIKO EPSON CORPORATION.

EPSON, EPSON Stylus, and ESC/P are registered trademarks and ESC/P 2 is a trademark of SEIKO EPSON CORPORATION.

General Notice: Other product names used herein are for identification purposes only and may be trademarks of their respective owners. EPSON disclaims any and all rights in those marks.

The ENERGY STAR emblem does not represent EPA endorsement of any product or service.

FCC Compliance Statement For United States Users

This equipment has been tested and found to comply with the limits for a Class B digital device, pursuant to Part 15 of the FCC Rules. These limits are designed to provide reasonable protection against harmful interference in a residential installation. This equipment generates, uses, and can radiate radio frequency energy and, if not installed and used in accordance with the instructions, may cause harmful interference to radio or television reception. However, there is no guarantee that interference will not occur in a particular installation. If this equipment does cause interference to radio and television reception, which can be determined by turning the equipment off and on, the user is encouraged to try to correct the interference by one or more of the following measures.

- Reorient or relocate the receiving antenna.
- Increase the separation between the equipment and receiver.
- Connect the equipment into an outlet on a circuit different from that to which the receiver is connected.
- Consult the dealer or an experienced radio/TV technician for help.

WARNING

The connection of a non-shielded equipment interface cable to this equipment will invalidate the FCC Certification of this device and may cause interference levels which exceed the limits established by the FCC for this equipment. It is the responsibility of the user to obtain and use a shielded equipment interface cable with this device. If this equipment has more than one interface connector, do not leave cables connected to unused interfaces. Changes or modifications not expressly approved by the manufacturer could void the user's authority to operate the equipment.

For Canadian Users

This Class B digital apparatus meets all requirements of the Canadian Interference-Causing Equipment Regulations.

Cet appareil numérique de la classe B respecte toutes les exigences du Règlement sur le matériel brouilleur du Canada.

Contents

Introduction

PC System Requirements	2
Macintosh System Requirements	3
How To Use Your Manuals	3
Warnings, Cautions, Notes, and Tips	5
Where To Get Help	5
Electronic Support Services	6
ENERGY STAR Compliance	7
Energy-saving Tips	7
Important Safety Instructions	8

1 Basic Printing

Printing from Windows	1-1
Setting Printer Options from Windows Applications	1-2
Setting Default Printer Options	1-5
Checking Printer Status	1-7
Printing from a Macintosh	1-9
Using Online Help	1-12
Accessing Help from Windows Applications	1-12
Accessing Help from Windows 95	1-12
Accessing Help from Windows 3.1	1-12
Accessing Help from Windows NT 4.0	1-13
Accessing Help from Windows NT 3.51	1-13
Accessing Help from Macintosh Applications	1-13

Using the Control Panel	1-14
Lights	1-14
Buttons	1-16

2 Custom Printing

Using Predefined Advanced Settings	2-1
Customizing Print Quality and Special Effects	2-4
Customizing Color Settings	2-8
Using ColorSync on the Macintosh	2-10
Saving Custom Settings	2-12
Deleting Custom Settings	2-13
Redefining Custom Settings	2-13

3 Printing on Special Media

Using Special Media Types	3-2
Media Loading and Software Settings Guidelines	3-3
Additional Media Loading Guidelines	3-5
Printing on Single Sheets	3-6
Loading Paper in the Paper Tray	3-7
Loading Paper in the Manual Feeder	3-12
Printing on Continuous Paper	3-15
Removing Continuous Paper	3-19
Using the Micro Adjust Buttons	3-20
Adjusting the Loading Position	3-21
Adjusting the Tear-off Position	3-22
Switching Between Continuous and Single Sheet Paper	3-22
Printing a Banner or Other Roll Paper Project	3-23
Loading Roll Paper	3-24
Printing a Banner from Windows	3-26
Printing a Banner from a Macintosh	3-30
Removing a Printed Banner	3-32

Printing a Backlit Display	3-33
Loading Back Light Film	3-33
Printing a Backlit Display from Windows	3-34
Printing a Backlit Display on a Macintosh	3-35

4 *Managing Print Jobs and Network Printing*

Managing Print Jobs With Windows 95 or 3.1	4-1
Using the Spool Manager	4-2
Using the Status Monitor	4-4
Managing Print Jobs With Windows NT	4-6
Managing Print Jobs on a Macintosh	4-6
Using EPSON Monitor2	4-7
Using the Macintosh Status Monitor	4-8
Network Printing on a PC	4-9
Connecting to the Printer on Windows NT 4.0 Systems	4-10
Connecting to the Printer on Windows NT 3.51 Systems	4-11
Using the Printer Software's Built-in Network Support	4-12
Network Printing on a Macintosh	4-15
Assigning a Name to the Printer	4-15
Setting Up the Printer for AppleTalk	4-16

5 *Using Your Printer with DOS*

Selecting Printer Software for DOS	5-1
Changing Printer Settings With Default-Setting Mode	5-3
Entering Default-Setting Mode	5-3
List of Default-Setting Options	5-5

Maintaining the Printer	5-7
Aligning the Print Heads With a DOS Utility	5-7
Selecting Character Tables	5-8
International Character Sets	5-16
Characters Available With the ESC (^ Command	5-17
Using Printer Commands	5-17
ESC/P 2 Control Codes	5-18
IBM XL24E Emulation Control Codes	5-19

6 *Maintenance and Transportation*

Cleaning the Print Heads	6-1
Using the Head Cleaning Utility	6-2
Using the Control Panel	6-3
Examining the Nozzle Check Pattern	6-4
Replacing an Ink Cartridge	6-4
Removing and Installing an Ink Cartridge	6-5
Printing in Black Ink With an Empty Color Cartridge	6-6
Aligning the Print Heads	6-7
Using the Print Head Alignment Utility	6-7
Using the Control Panel	6-8
Cleaning the Printer	6-9
Transporting the Printer	6-9

7 *Troubleshooting*

Diagnosing Problems	7-1
Running a Self Test	7-2
Printing a Hex Dump	7-3
Improving Print Quality	7-4
Solving Printing Problems	7-8
Fixing Paper Problems	7-13
Solving Miscellaneous Printout Problems	7-17

A *Using Optional Interfaces*

Using Macintosh Interface Boards	A-2
Using the PC Serial Interface Board	A-2
Installing Optional Interfaces	A-3

B *Using EPSON Plot!*

Installing EPSON Plot!	B-1
Printing With EPSON Plot!	B-2

C *Specifications*

Printing	C-1
Paper	C-3
Ink Cartridges	C-5
Mechanical	C-6
Electrical	C-6
Environmental	C-6
Safety Approvals	C-7
Interfaces	C-7

Glossary

Index

Introduction

Your EPSON Stylus® COLOR 3000 printer is the ideal output device for high-quality, large format graphic and business communication pieces—such as color comps, checkplots, maps, presentations, banners, iron-on transfers, and backlit displays—or any project you create. With resolutions up to 1440 × 720 dpi (dots per inch), you get amazingly realistic photographic images, vivid color graphics, superb grayscale images, and razor-sharp black printing for detailed line art and crisp text.



Note:

Also included are the EPSON Plot! program and the Autodesk Device Interface (ADI) plotter driver. EPSON Plot! allows you to print HPGL or HPGL/2 plot files on your printer. See Appendix B for details. The ADI driver allows you to print from AutoCAD 386 releases 10 and higher. See the README file on the driver diskette for more information.

Its large format capabilities (up to 17" × 22" size paper) and fast print speeds allow you to print full bleed, 13" × 19," photo quality color comps with ease. And its versatile, built-in paper feeding options let you print on virtually any media, of almost any size, including single sheets, continuous fold paper, and roll paper. You can even load continuous paper and single sheets simultaneously, printing on each in turn by flipping a lever.

The printer software for Microsoft® Windows® and Apple® Macintosh® computers provides advanced color management, with adjustable levels of brightness, contrast, saturation, and ink colors. Support for ColorSync™ 2.01 and Windows 95 ICM ensures printouts that closely match the colors on your monitor. You can also perform many printer maintenance procedures right from your computer, such as cleaning and aligning the print heads. And EPSON's extensive online help can guide you through printer operations in real time.

With standard parallel and high-speed serial ports and optional network connectivity, setting up your printer is fast and easy. EPSON's specially formulated, quick-drying ink and wide variety of ink jet media give you the best quality output and the most flexibility for getting the results you want.

PC System Requirements

To use your printer and its software with a PC, your system should have:

- An IBM[®] compatible PC with at least a 386/25 MHz or faster processor (486/66 MHz or faster for Windows NT)
- DOS, Windows 95, Windows 3.1x, Windows for Workgroups 3.11, Windows NT 4.0 or 3.51
- At least 16MB of RAM
- At least 20MB of free hard disk space for storing images (40MB or more is recommended, 50MB or more for Windows NT)
- VGA, Super VGA, or better display adapter and monitor
- Double-speed CD-ROM drive (quad-speed or faster recommended) for installing the printer software
- A shielded, twisted-pair parallel cable (6 to 10 feet long) to connect your computer to the printer; the cable must have a D-SUB, 25-pin, male connector for your computer and a 36-pin, Centronics[®] compatible connector for the printer.

For PC network interface options and the additional system requirements they may have, see Appendix A.

Macintosh System Requirements

To use your printer and its software with a Macintosh, your system should have:

- Any Macintosh or Power Macintosh® model except the Macintosh +, Macintosh 512, Performa® 410, PowerBook® 100, and some early versions of the Macintosh such as the II or Classic
- System 7.1 (System 7.5 or later is recommended)
- At least 8MB of built-in RAM (16MB or more is recommended)
- Double-speed CD-ROM drive (quad-speed or faster recommended) for installing the printer software
- At least 20MB of free hard disk space for storing images (40MB or more is recommended)
- VGA, Super VGA, or better display adapter and monitor
- Standard Apple System Peripheral-8 serial cable or equivalent (RS-422, 8-pin mini DIN male/male)

For Macintosh network interface options and the additional system requirements they may have, see Appendix A.

How To Use Your Manuals

To set up your printer and install your printer software, see the *Quick Setup* booklet. This *User's Guide* contains the following information:

Chapter 1, “Basic Printing,” gives step-by-step instructions for everyday printing with Windows or Macintosh.

Chapter 2, “Custom Printing,” tells you how to print special projects with custom settings for print quality, special effects, and color management.

Chapter 3, “Printing on Special Media,” gives guidelines for selecting the right paper or other media for your print job and instructions for loading it in your printer.

Chapter 4, “Managing Print Jobs and Network Printing,” explains how to manage print jobs, check printer status, and set up your system for network printing.

Chapter 5, “Using Your Printer with DOS,” tells you how to use your printer with DOS applications, including selecting printer software for DOS, changing printer settings using default-setting mode, aligning the print heads, selecting character tables, and using printer commands.

Chapter 6, “Maintenance and Transportation,” gives instructions for replacing ink cartridges, cleaning and aligning the print heads, and cleaning and transporting the printer.

Chapter 7, “Troubleshooting,” provides solutions for any printing problems you may have.

Appendix A, “Using Optional Interfaces,” lists the optional interface boards and gives instructions for installing and using them.

Appendix B, “Using EPSON Plot!,” gives instructions on how to install and use the EPSON Plot! program to print HPGL or HPGL/2 plotter files.

Appendix C, “Specifications,” provides the technical details on your printer, ink cartridges, and EPSON media.

A Glossary and an Index are included at the end of the book.

Warnings, Cautions, Notes, and Tips

You'll find this information throughout your manual:



Warnings must be followed carefully to avoid bodily injury.



Cautions must be observed to avoid damage to your equipment.



Notes contain important information about your printer.



Tips contain additional hints for great printing.

Where To Get Help

EPSON provides customer support and service through a network of authorized EPSON Customer Care Centers. Dial (800) 922-8911 for the nearest location or the following services:

- FaxAdvice access to EPSON's technical information library
- Literature on current and new products
- The location of your nearest Authorized EPSON Reseller or Customer Care Center
- Technical information on the installation, configuration, and operation of EPSON products
- Customer relations

For answers to commonly asked questions about EPSON products 24 hours a day, seven days a week, call EPSON Sound Advice at (800) 442-2110.

You can purchase ink cartridges, paper, manuals, accessories, and parts from EPSON Accessories at (800) 873-7766 (U.S. sales only). In Canada, please call (800) 873-7766 for dealer referral.

If you need help using software with an EPSON product, see the documentation for that program for technical support information.

Electronic Support Services

You can access helpful tips, specifications, DIP switch or jumper settings, drivers, FAQs, sample files, application notes, and EPSON product bulletins 24 hours a day, seven days a week, using a modem and one of the online services below.

World Wide Web

From the Internet, you can reach EPSON's Home Page at <http://www.epson.com>.

EPSON Download Service

You can call the EPSON Download Service at (800) 442-2007. Set your communications software to 8 data bits, 1 stop bit, no parity. Modem speed can be up to 28.8 Kbps.

EPSON FaxAdvice Service

You can access EPSON's technical information library by calling (800) 442-2110 and selecting the appropriate phone option. You must provide a return fax number to use FaxAdvice.

EPSON Forum on CompuServe

Members of CompuServe® can type GO EPSON at the menu prompt to reach CompuServe's Epson America Forum. As an owner of an EPSON product, you are eligible for a free introductory CompuServe membership, which entitles you to an introductory credit and your own user ID and password. To take advantage of this offer in the U.S. or Canada, call (800) 848-8199 and ask for representative #529.



ENERGY STAR Compliance

As an ENERGY STAR Partner, EPSON has determined that this product meets the ENERGY STAR guidelines for energy efficiency.

The EPA ENERGY STAR Office Equipment program is a voluntary partnership with the computer and office equipment industry to promote the introduction of energy-efficient personal computers, monitors, printers, fax machines, and copiers in an effort to reduce air pollution caused by power generation.

Energy-saving Tips

Here are a few tips you can use to be even more energy-wise:

- If your monitor isn't ENERGY STAR compliant, turn it off when you're not using it.
- Turn off your computer, printer, and monitor each day when you are done using them.
- Use the print preview option in your software so you can catch errors before you print something.
- Send e-mail rather than distributing memos. Not only is this faster, but you'll save paper and storage space too.

Important Safety Instructions

Before using your printer, read the following safety instructions to make sure you use the printer safely and effectively.

- Turn off and unplug the printer before cleaning. Clean with a damp cloth only. Do not spill liquid on the printer.
- Do not place the printer on an unstable surface or near a radiator or heating vent.
- Do not block or cover the openings in the printer's cabinet or insert objects through the slots.
- Use only the type of power source indicated on the printer's label.
- Connect all equipment to properly grounded power outlets. Avoid using outlets on the same circuit as photocopiers or air control systems that regularly switch on and off.
- Place the printer near a wall outlet where the plug can be easily unplugged.

Placez l'imprimante près d'une prise de contact où la fiche peut être débranchée facilement.

- Do not let the power cord become damaged or frayed.
- If you use an extension cord with the printer, make sure the total ampere rating of the devices plugged into the extension cord does not exceed the cord's ampere rating. Also, make sure the total of all devices plugged into the wall outlet does not exceed 15 amperes.
- Except as specifically explained in this *User's Guide*, do not attempt to service the printer yourself.

- Unplug the printer and refer servicing to qualified service personnel under the following conditions:


If the power cord or plug is damaged; if liquid has entered the printer; if the printer has been dropped or the cabinet damaged; if the printer does not operate normally or exhibits a distinct change in performance. Adjust only those controls that are covered by the operating instructions.

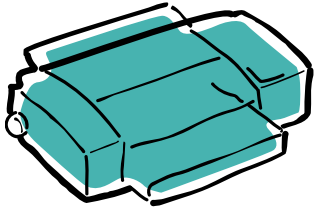
Note the following precautions when using a printer stand with this printer:

- Use a stand that can support at least 66.0 lb (30.0 kg).
- Never use a stand that tilts the printer. The printer should always be kept level.
- Position your cables so they do not interfere with paper feeding; where possible, secure them to a leg of the printer stand.

Even if you are familiar with other types of printers, be sure to read through the following list of precautions before operating your ink jet printer:

- Do not put your hand inside the printer or touch the print heads during printing.
- Under normal circumstances, ink will not come out of the cartridges. If it does get on your skin, wash it off with soap and water. If it gets in your eyes, flush them immediately with water.
- Keep ink cartridges out of the reach of children.
- Do not dismantle the ink cartridges or try to refill them. This could result in damage to the print head.
- Once you install an ink cartridge, do not remove the cartridge except to replace it with a new one. The cartridge may become unusable otherwise.
- Install the ink cartridge immediately after you remove it from its package. Leaving the cartridge unpacked for a long time before use may result in reduced print quality.

- Do not use an ink cartridge beyond the date printed on the cartridge carton. For best results, use up the ink cartridges within six months of installing them.
- Do not shake an ink cartridge; this can cause leakage.
- Always turn the printer off using the  Operate button. When this button is pressed, the Operate light flashes briefly then goes out. Do not unplug the printer or turn off the power to the outlet until the Operate light is off.
- Before transporting the printer, make sure the print heads are capped in the home (far right) position and the ink cartridges have been removed.



1

Basic Printing



Note:
If you print from DOS applications, see Chapter 5 for instructions.

For instructions on printing HPGL or HPGL/2 plot files, see Appendix B.

It's easy to print all your color and black-and-white documents with your EPSON Stylus COLOR 3000. First you have to set up your printer and install the software following the instructions in the *Quick Setup* booklet. Then read this chapter to find out about the following:

- Printing from Windows
- Printing from a Macintosh
- Using online help
- Using the control panel

Printing from Windows

When you want to print from your Windows application, you choose Print from the File menu. You can then choose which pages to print, the number of copies, and other options from your application's Print dialog box. When you click a button in the Print dialog box, you can select additional settings using your printer software, such as whether you want to use color or black ink.

The following sections tell you how to do the following:

- Set printer software options from Windows applications
- Change the default printer software settings
- Check your printer's status while you print.



Note:
The settings you select through your Windows application usually apply only until you exit that application. Then the driver settings may return to the driver's default values or the Windows default values selected as described on page 1-5.



For more information about printer settings, click the Help button. With Windows 95 and Windows NT, you can right-click any item on the screen and then click What's This?

Setting Printer Options from Windows Applications

This section describes the options you'll need to set for all your everyday printouts. See Chapter 2 for information about advanced settings for special print jobs.

Follow these steps to check printer settings from your word processor or other Windows software:

1. Choose Print or Print Setup from the File menu.

If you choose Print, you first see your application's Print dialog box containing the settings you change most often, including the number of copies and the pages you want printed.

If you choose Print Setup, you first see a list of printers to choose from.

2. Make sure your EPSON Stylus COLOR 3000 printer is selected, and then click the Printer, Setup, Properties, or Options button. (You may have to click a series of these buttons, depending on the program you're printing with.) You see the printer software's dialog box:





For printing at the highest resolution (SuperFine quality at 1440 dpi), you need to use one of the photo quality media, the back light film, or the canvas cloth. For the best printing at any resolution, always use EPSON media.



Note:

The media selection on the control panel can be overridden by the Media Type setting you make in your printer driver or application.

The control panel selection notifies you in case the media loaded in the printer does not match the media you selected in the software. You can turn off the notification function by selecting Other/Media Selection Off.

3. If you don't see the dialog box shown in step 2, click the Main tab.
4. Make sure the Mode option is set to Automatic so the printer software can determine the best settings according to the Media Type and Ink settings you make. This is the easiest way to get good printing results for all kinds of documents, on all types of paper.
5. Choose the Media Type you want to print on from the following list (you may need to scroll through the list). If you are not sure which setting to select for your media, refer to the table on page 3-3.
 - ▶ Plain paper
 - ▶ 360 dpi Ink Jet Paper
 - ▶ Photo Quality Ink Jet Paper
 - ▶ Photo Quality Glossy Paper
 - ▶ Photo Quality Glossy Film
 - ▶ Ink Jet Transparencies
 - ▶ Ink Jet Back Light Film
 - ▶ Ink Jet Canvas Cloth

The type of media you choose determines the Print Quality setting (resolution) you can use.

6. If you are using Windows 95, press Media Type button on the printer's control panel to select the media you loaded in the printer and selected in step 5. If your media type is not listed on the control panel, select Other/Media Selection Off.
7. Choose Color or Black ink. If you're printing black text or a draft, or if you want colors to print as varying shades of gray, select Black for faster printing.

8. Set the slider to Quality or Speed. This lets you choose between high resolution printing or faster printing on the media you're using. (The slider is not available for certain media types and may not set the highest available resolution.)
9. Click the Paper tab and choose your paper feeding source.

The default Paper Source is Auto Sheet Feeder, for the paper tray at the front of your printer. (For instructions on printing with the other feeders, see Chapter 3.)

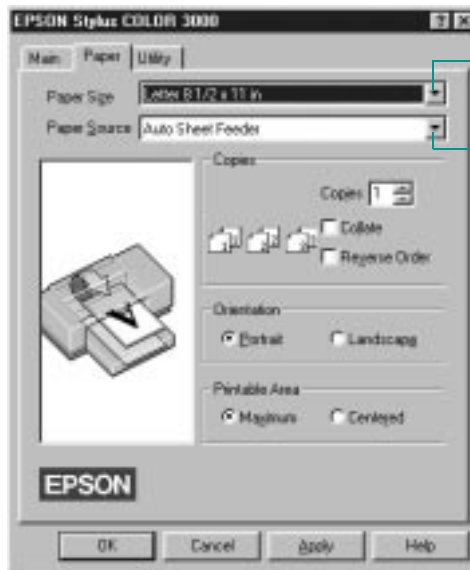


Note:
Whenever you change the Paper Source, Paper Size, or Orientation settings, check the printer illustration in the dialog box to see how your document will print.

If you load your paper long edge first, select a landscape paper size, such as Letter (Landscape), and then select your print orientation so the printer knows which way you loaded the paper.

Keep in mind that some software may have paper size and orientation settings that override your printer software settings.

To cancel your changes and exit the driver, click the Cancel button at the bottom of the menu at any time.



10. Now choose the paper size, number of copies, collation options, orientation, and printable area. (Your software application may let you control some of these settings. With Windows NT, there are no collation options.)
11. Click the Main tab and check the Current Settings box on the bottom of the menu to see if the other settings are correct for your document. If you need to adjust them, use Advanced mode as described in Chapter 2.

12. Click OK when you're finished checking your settings. The dialog box closes.
13. In your application's printing dialog box, click Close, OK, or Print. (You may need to click a series of these buttons, depending on the program you're printing with.)

While you're printing, the EPSON Despooler dialog box appears, showing the printing progress and the status of your printer. (With Windows NT, you don't see the Despooler.) See "Checking Printer Status" on page 1-7 for more information.



Note:
Some application settings override printer software settings (such as Paper Size or Orientation), so it is a good idea to check the settings in your application before you print.

Setting Default Printer Options

When you change printer settings through your Windows application (as described above), the settings apply only to the application you're using. If you want to adjust the default settings for all your Windows applications, you can access the printer software through the Windows 95 or Windows NT Printer Properties or the Windows 3.1 Control Panel.

Make sure all your software applications are closed before you start. If not, you'll have to close and then reopen them to have the new default settings take effect.

Setting Default Options in Windows 95

1. Click Start, point to Settings, and then point to Printers.
2. Right-click the EPSON Stylus COLOR 3000 icon.
3. Select Properties, then click the Main tab. You see the Main printer settings dialog box.
4. Change the settings as described on page 1-2 and click OK. Any changes you make become the default settings for all your applications and documents.

Setting Default Options in Windows 3.1

1. Double-click the Control Panel icon in the Main group.
2. Double-click the Printers icon.
3. Select EPSON Stylus COLOR 3000 from the list of printers and click Setup. You see the Main printer settings dialog box.
4. Change the settings as described on page 1-2 and click OK. Any changes you make become the default settings for all your applications and documents.



Note:

You can access the default Windows NT printer software settings only if you have the appropriate network access privileges, such as Administrator or Power User.

Setting Default Options in Windows NT 4.0

1. Click Start, point to Settings, and then point to Printers.
2. Click the EPSON Stylus COLOR 3000 icon.
3. Open the File menu and select Document Defaults. You see the Main printer settings dialog box.
4. Change the settings as described on page 1-2 and click OK. Any changes you make become the default settings for all your applications and documents.

Setting Default Options in Windows NT 3.51

1. Double-click the Control Panel icon in the Main group.
2. Double-click the Printers icon.
3. Select the EPSON Stylus COLOR 3000 printer window, if necessary.
4. Open the Printer menu and select Properties.

5. Click Details, then click Job Defaults. You see the Main printer settings dialog box.
6. Change the settings as described on page 1-2 and click OK. Any changes you make become the default settings for all your applications and documents.

Checking Printer Status

While your document is printing, the EPSON Despooler dialog box appears on your screen. (With Windows NT, you don't see the Despooler. See the following section for more information.)



If you don't want the Despooler dialog box to appear each time you print, you can turn it off. To do this, start Spool Manager, open the View menu, and select Show Despool Popup; the checkmark next to the option disappears.

Status Monitor
(Windows 95
only)



Click to
pause printing

Click to
cancel
printing

The name of
the file you're
printing appears
here

Click to
restart printing

This dialog box shows the progress of your print job and the status of your printer. If you run out of paper, for example, the Despooler warns you. You can use the buttons to cancel, pause, or restart your print job, if necessary. When the print job is finished, the Despooler dialog box disappears.

If you are using Windows 95, the Status Monitor, as described below, also appears.

- ▶ **Media Check**
A check in the Perform Media Check before printing box means this function is selected (the default setting). The Media Check function automatically compares the media selected with the printer control panel with the media selected in the printer driver and alerts you if they don't match. To turn off this function, click the box; the checkmark disappears.
- ▶ **Paper Status**
The Paper Status box displays information about the paper loaded in the printer. You select the paper feed path in the driver, and the Status Monitor checks the printer for the size, type, and amount. The paper size and amount is determined by the printer. The media type is defined by the Media Type setting you make with the printer's control panel.
- ▶ **Ink Status**
The Ink Status box displays the amount of remaining ink for each color.

Checking Printer Status with Windows NT

With Windows NT 4.0 servers and workstations, the messenger service alerts you to printer errors or lets you know when a print job is finished. If you have appropriate network access privileges or if you're controlling printing from the server, you can also cancel, pause, or restart print jobs and set the sharing, security, scheduling, and port options. See your Windows NT 4.0 documentation for details.

You can check the status of your print job in Windows NT 3.51 using the Print Manager. Options in the Print Manager window let you pause, resume, or delete print jobs and handle the print queues on your system, depending on your network access privileges. See your Windows NT 3.51 documentation for instructions.

Printing from a Macintosh



Note:

A Power Macintosh Extension module (EPSON Stylus PowerPlug) was automatically installed and enabled when you installed your printer software. This module accelerates rendering and processing of all documents on a Power Macintosh.

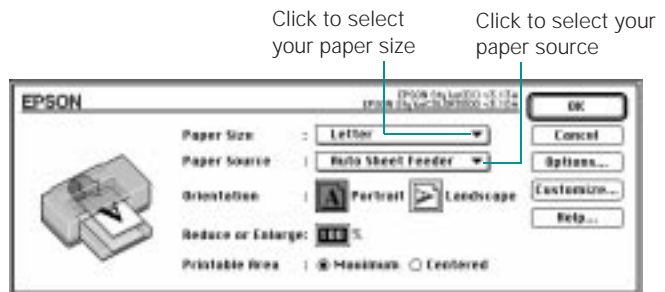


Note:

To cancel your changes and exit the driver, click the Cancel button at any time.

When you print with a Macintosh, you need to check the printer software settings for each application you use. This section describes the settings you'll need to choose for all your everyday printouts. See Chapter 2 for information about advanced settings for special print jobs.

1. Start the application you want to print from and create a document.
2. Choose Page Setup from the File menu. You see the Page Setup dialog box:



3. First choose your paper feeding source. The default Paper Source is Auto Sheet Feeder, for the paper tray at the front of your printer. (For instructions on printing with the other feeders, see Chapter 3.)
4. After selecting your paper source, choose the paper size, orientation, reduction or enlargement, and printable area. (Your software application may let you control some of these settings.)
5. Click OK to close the Page Setup dialog box and continue.

Basic Printing



Note:

Whenever you change the Paper Source, Paper Size, or Orientation settings, check the printer illustration in the dialog box to see how your document will print.

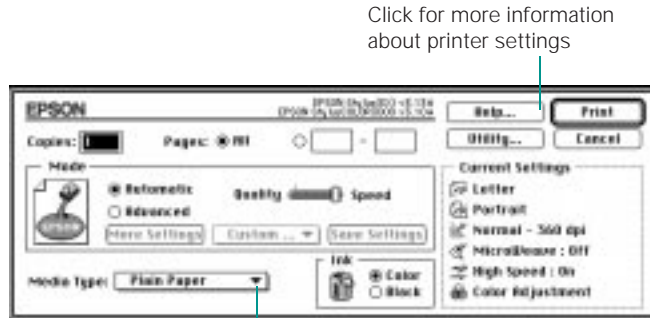
If you load your paper long edge first, select a landscape paper size, such as Letter (Landscape), and then select your print orientation so the printer knows which way you loaded the paper.

Keep in mind that some software may have paper size and orientation settings that override your printer software settings.



For printing at the highest resolution (SuperFine quality at 1440 dpi), you need to use one of the photo quality media, back light film, or canvas cloth. For the best printing at any resolution, always use EPSON media.

6. Choose Print from the File menu or click the print icon in your application. You see a dialog box like the following:



Click for more information about printer settings

Click to select your media type

7. Choose the number of copies and indicate which pages you want to print.
8. Make sure the Mode option is set to Automatic so the printer software can determine the best settings according to the Media Type and Ink settings you make. This is the easiest way to get good printing results for all kinds of documents, on all types of paper.
9. Choose the Media Type you want to print on from the following list. If you are not sure which setting to select, refer to the table on page 3-3.
 - Plain Paper
 - 360 dpi Ink Jet Paper
 - Photo Quality Ink Jet Paper
 - Photo Quality Glossy Paper
 - Photo Quality Glossy Film
 - Ink Jet Transparencies
 - Ink Jet Back Light Film
 - Ink Jet Canvas Cloth

The type of media you choose determines the Print Quality setting (resolution) you can use.



Note:

The media selection on the control panel can be overridden by the Media Type setting you make in your printer driver or application.

The control panel selection is a reminder to notify you in case the media loaded in the printer does not match the media you selected in the software. You can turn off the notification function by selecting Other/Media Selection Off.

Printer settings are saved with your document, but you can't save them from one application to another. You'll have to check your settings each time you print from a new application. If you want to reuse settings, you can create document templates for your favorite applications.

10. Press the Media Type button on the printer's control panel to select the media you loaded in the printer and selected in step 9. If your media type is not listed on the control panel, select Other/Media Selection Off.
 11. Choose Color or Black ink. If you are printing black text or a draft, or if you want colors to print as varying shades of gray, choose Black for faster printing.
 12. Set the slider to Quality or Speed. This lets you choose between high resolution printing or faster printing on the media you're using. (The slider is not available for certain media types and may not set the highest available printer resolution.)
- Once you've changed these basic settings, check the Current Settings box on the right side of the menu to see if the other settings are correct for your document. If you need to adjust them, use Advanced mode as described in Chapter 2.
13. Click Print when you're finished checking your settings.

If you chose background printing when you set up your printer, you can continue working while your document is printing. See "Using EPSON Monitor2" in Chapter 4.

Using Online Help

For complete information about using the printer software, you can easily access online help any time. It provides detailed descriptions of the different settings and options.

Accessing Help from Windows Applications

To access online help from your application, open the File menu and choose Print or Print Setup. Then click Printer, Setup, Options, or Properties; you may need to click a series of these buttons, depending on the software you're using. Click the Help button at the bottom of the dialog box for help related to the items on that dialog box. Then select a help topic. You can also access online help when you're not using the software, as described below.



With Windows 95 you can get specific help related to any item in the menus by right-clicking the item and then clicking the What's This? prompt.

Accessing Help from Windows 95

Click the Start button, point to Programs, and Epson, and then click EPSON Stylus COLOR 3000 Help. If you need instructions for how to use help, read the online "Quick Guide to Using Help."

Accessing Help from Windows 3.1

To access online help from Program Manager, open the EPSON program group and click the EPSON Stylus COLOR 3000 Help icon. If you need instructions for how to use help, read the online "Quick Guide to Using Help."



With Windows NT, you can get specific help related to any item in the menus by right-clicking the item and then clicking the What's This? prompt.

Accessing Help from Windows NT 4.0

Click the My Computer icon, then click the Printers icon. Right-click the EPSON Stylus COLOR 3000 icon and select Document Defaults from the menu. In the printer software dialog box, click the Help button. If you need instructions for how to use help, read the online “Quick Guide to Using Help.”

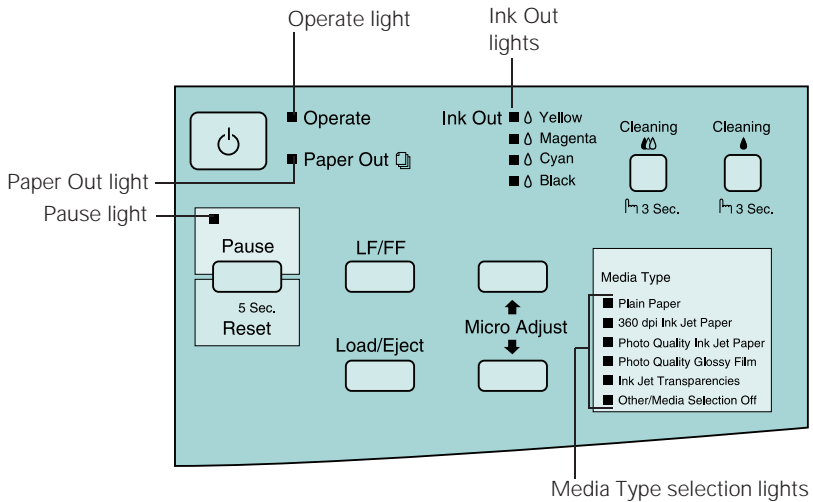
Accessing Help from Windows NT 3.51

Double-click the Control Panel icon in the Main group. Then double-click the Printers icon. Select the EPSON Stylus COLOR 3000 printer window, then open the Printer menu and select Properties. Click Details, then click Job Defaults. In the printer software dialog box, click the Help button. If you need instructions for how to use help, read the online “Quick Guide to Using Help.”

Accessing Help from Macintosh Applications

Choose Print from the File menu or click the print icon in your application. Click the Help button for help related to the items on that menu. To exit Help, click the OK button at the bottom of the Help screen.


Using the Control Panel




Lights

The lights on your printer's control panel show the printer's status and alert you to problems, such as paper jams or low ink.








Operate The Operate light is on when the printer is on. When the Operate light flashes, the printer is receiving data. It may also flash with other lights during certain operations or error conditions.

Paper Out  When the Paper Out light comes on, your paper ran out or is loaded incorrectly, or the paper-release lever is set to the wrong position. Load paper, check the lever position (see Chapter 3), and then press the Pause or Load/Eject button to turn off the light.

When the Paper Out light flashes, you have a paper jam. Turn off the printer, gently pull out all jammed paper, reload the paper, and reload the paper. See Chapter 7 for more information.

Ink Out ◆ Yellow ◆ Magenta ◆ Cyan ◆ Black	When an Ink Out light flashes, your ink supply is low. Make sure you have a replacement cartridge. When an Ink Out light comes on, you need to replace the ink cartridge. See Chapter 6 for instructions.
Pause	When the Pause light is on, printing is paused. Press the Pause button to resume. When the Pause light flashes, your printer is charging ink, cleaning the print heads, or performing another operation. See Chapter 6 for details.
Plain Paper 360 DPI Ink Jet Paper Photo Quality Ink Jet Paper Photo Quality Glossy Film Ink Jet Transparencies Other/Media Selection Off	The Media Type light indicates which media you selected with the Media Type button. When you print, the printer software checks the software setting and this selection to see if they match. If they do not match, an error message appears on your screen. If you do not want to use this feature, select Other/Media Selection Off.
	 <p>Note: The Media Type setting only works when printing from the paper tray with Windows 95 or Macintosh</p> <p>If paper is loaded and the Media Type lights flash, the paper-release lever is not in the correct position. Match the paper-release lever position with the media type and paper source you are using.</p>
All the lights	When all the lights flash, your printer may have an internal error. See Chapter 7 for more information.

Buttons

Operate 	Turns the printer on and off.
LF/FF	Feeds paper line by line. Loads a single sheet or advances continuous or banner paper to the next top-of-form position if held down.
Load/Eject	<p>When paper is not loaded, loads a sheet of paper or a single sheet of continuous paper.</p> <p>When paper is loaded, ejects a sheet of paper. Feeds continuous (tractor-fed) paper backward to the paper-park position. Ejects banner paper backward. Feeds continuous or banner paper to the tear-off position when pressed after printing and Auto tear-off mode is set to off in default-setting mode.</p>
Pause/Reset	<p>Stops printing temporarily. Resumes printing when pressed again.</p> <p>Clears the printer buffer if pressed for five seconds.</p>
Micro Adjust  Micro Adjust 	<p>Adjusts the loading position or tear-off position for continuous paper. Press the Micro Adjust  button to feed paper forward or press Micro Adjust  to feed paper backward.</p> <p>Micro Adjust settings are saved in the printer's memory. See "Using the Micro Adjust Buttons" on page 3-20 for details on adjusting the loading position or tear-off position.</p>
Cleaning 	Starts the black print head cleaning cycle if pressed for three seconds. See "Cleaning the Print Heads" on page 6-1.
Cleaning 	Starts the color print head cleaning cycle if pressed for three seconds. See "Cleaning the Print Heads" on page 6-1.
Media Type	Determines whether the Media Type setting you selected in the printer driver matches the type of media loaded in the printer.



Note:
The Media Type setting only works when printing from the paper tray with Windows 95 or Macintosh.



2

Custom Printing



Note:
For instructions on
printing HPGL or HPGL/2
plot files, see Appendix B.

When you want to print presentation graphics, photographs, or other special projects, you can use the custom settings in your EPSON Stylus COLOR 3000 software. You can choose predefined settings or adjust individual options like brightness, contrast, saturation, and halftoning. For professional-quality color accuracy, you can use Image Color Matching (ICM) with Windows 95 or ColorSync with the Macintosh.

This chapter includes the following information:

- Using predefined advanced settings
- Customizing print quality and special effects
- Customizing color settings
- Using ColorSync on the Macintosh
- Saving custom settings

Using Predefined Advanced Settings

Predefined settings provide an easy way to fine-tune your printer's operation for special projects. Follow these steps to print with predefined settings:

1. Create your document, image, or project in your application software.

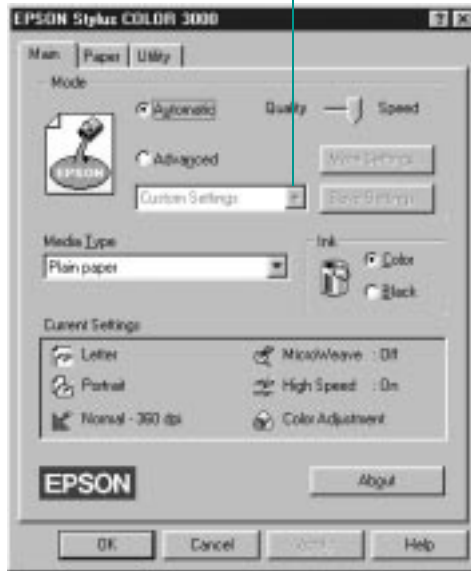
2. Access the Main printer settings dialog box as described on page 1-2 (Windows) or page 1-10 (Macintosh).

You see one of the following dialog boxes:

Click **Advanced**, then click here to see a list of project types



Note:
When you use
Advanced settings, the
Quality/Speed slider
disappears.



Windows



Macintosh

Click **Advanced**, then click here to see a list of project types



Note:
Always choose your Ink setting before you select a project setting from the Customs Settings list.

Selecting Video/Digital Camera, ICM, or ColorSync automatically sets the Ink option to Color.

If you are printing with Windows NT 3.51, follow the steps in the next section to check an additional print option described on page 2-7.



Note:
See Chapter 3 for information about using special media.

3. Select Color or Black Ink.
4. Click Advanced, and then Custom Settings. You see a list of project types.
5. Follow these guidelines to choose the right setting for your project:
 - Photo
For printing scanned photographs. Increases contrast in the image.
 - Text/Graph
For printing graphics-intensive documents like presentation pages with charts and graphs. Intensifies colors and lightens the midtones and highlights.
 - Video/Digital Camera (not available for Windows NT)
For images captured from a digital camera or video. Increases color brightness and makes the image sharper.
 - Economy
For rough drafts of text only, on plain paper. Saves ink.
 - ICM (Windows 95 only)
Automatically adjusts printout colors to closely match the colors on your screen.
 - ColorSync (Macintosh only)
Automatically adjusts printout colors to closely match the colors on your screen. For more information, see page 2-10.
6. Choose the Media Type you want to print on. (If you are not sure which setting to select, refer to the table on page 3-3.) The available media are limited by the project you choose.
7. Use the Media Type button on the printer's control panel to select the media you loaded in the printer and selected in step 6 (Windows 95 and Macintosh only). If your media type is not listed on the control panel, select Other/Media Selection Off.

8. Select the correct Paper Source, Paper Size, and other options for the media and feeder you're using.
9. Check the Current Settings box on the bottom of the menu to see if the other settings are correct for your document. If they're correct, click OK or Print. (If you're using Windows, click any other buttons that your application uses for printing.)

If the predefined settings are not quite what you want, follow the steps in the next section to change them.



Note:
After you customize your print settings for a special project, you can save them as a group. Then you can reuse them whenever you print a similar project. See page 2-12 for instructions.

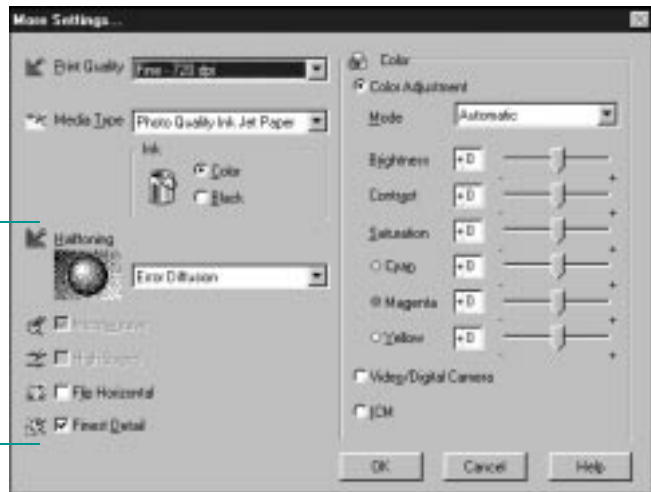
Customizing Print Quality and Special Effects

If you need maximum control over your project, or you want to experiment with special effects, you can adjust individual settings in your printer software. Follow these steps:

1. Create your document, image, or project in your application software.
2. Access the Main printer settings dialog box as described on page 1-2 (Windows) or page 1-10 (Macintosh).

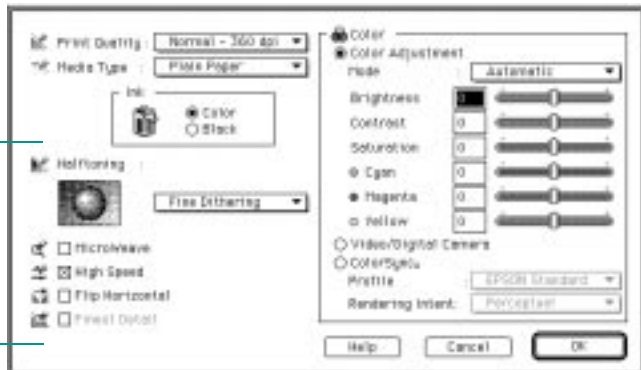
3. Click Advanced, and then click More Settings. You see the More Settings dialog box:

Some of these options are automatically set or disabled by other settings you choose



Windows

Some of these options are automatically set or disabled by other settings you choose



Macintosh



Note:

The Print Quality is selected automatically depending on the current Media Type. If you choose a Print Quality setting that is not appropriate for your media, the driver changes the Media Type setting. Be sure to check both of these settings to make sure they are correct for the media you loaded.



Note:

In Automatic mode, the Halftoning setting is selected based on the data in your print job. In Advanced mode, Halftoning is preselected for each document type setting. The No Halftoning option is available only when you select Black as the Ink setting.

4. Choose one of the following Print Quality options:
 - **Economy**
For low-resolution rough drafts on plain paper. Saves ink.
 - **Normal - 360 dpi**
For most documents on plain paper, transparencies, or 360 dpi Ink Jet or Banner paper.
 - **Fine - 720 dpi**
For high-resolution output. Works best on photo quality media (including EPSON Photo Quality Banner paper), back light film, or canvas cloth.
 - **SuperFine - 1440 dpi**
For the highest-resolution output on photo quality media, back light film, or canvas cloth only.
5. Choose the Media Type setting you want to use, following the guidelines on page 3-3.
6. Press the Media Type button on the printer's control panel to select the media you loaded in the printer and selected in step 5 (Windows 95 and Macintosh only). If your media type is not listed on the control panel, select Other/Media Selection Off.
7. Select Color or Black ink.
8. Choose one of the following Halftoning options:
 - **No Halftoning**
For printing black text only.
 - **Error Diffusion**
For printing photographic or video/digital camera images. Blends each dot of color with the surrounding dots.
 - **Fine Dithering, Coarse Dithering**
For printing charts, graphs, and other images that require precise, solid areas of bright colors. Arranges dots in orderly patterns. Use Coarse for images with more shading and less detail. Use Fine for images with more detail and less shading.



If vertical lines in your printout are misaligned when you use the High Speed setting, you may need to align the print heads. See Chapter 6 for instructions.

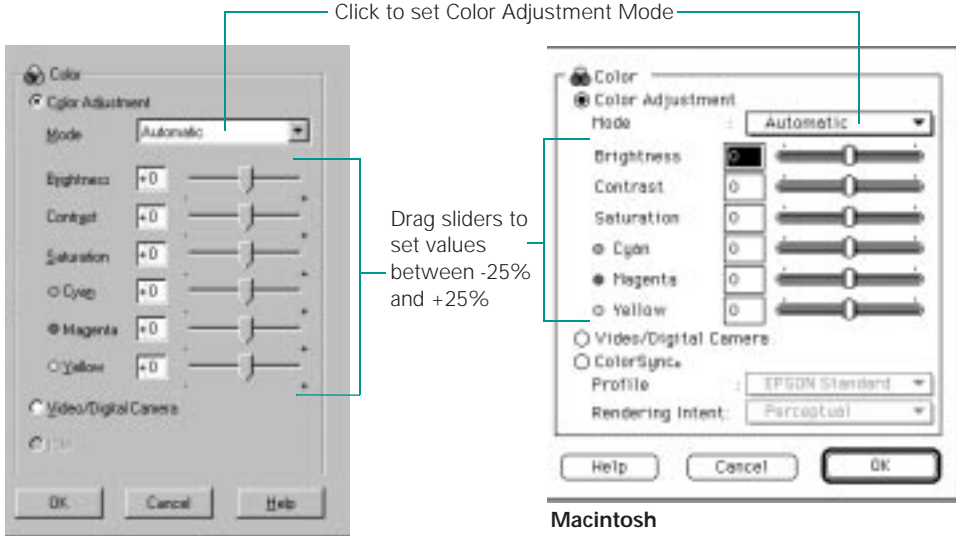
9. Choose any of the following print options. Some of these settings are automatically selected or disabled by the Print Quality (resolution) and Media Type settings you chose.
 - ▶ **MicroWeave**
For improved print quality. Prints graphic data in finer increments to eliminate unwanted banding effects (light horizontal lines). Always use for color printing.
 - ▶ **High Speed**
For fast, bidirectional printing at lower quality.
 - ▶ **Flip Horizontal**
Prints a mirror image of your document. Use for printing with iron-on transfer paper or back light film so the image will appear correctly on your iron-on item or backlit display.
 - ▶ **Finest Detail**
For printing text, graphics, and line art with very sharp edges. Slows print speed and increases your system memory requirements.
 - ▶ **Print Using a Temporary File (Windows NT 3.51 only)**
For increasing the speed that Windows NT 3.51 returns to your application by printing to a temporary print file. A separate application then sends the file to your printer. Turn off this option when printing complex documents or if parts of a printout are missing after printing with it turned on.
10. If you're ready to print, click OK and go to step 11. If you want to adjust your printer's color settings, see the next section.
11. Click Save Settings if you want to save your custom settings as a group that you can reuse for special projects. See page 2-12 for instructions.
12. Click OK (Windows) or Print (Macintosh). If you're using Windows, click any other buttons that your application uses for printing.

Customizing Color Settings

You can choose from several color adjustment modes or manually adjust brightness, contrast, saturation, and individual CMY (cyan, magenta, yellow) colors. To achieve maximum color accuracy, you can use Image Color Matching (ICM) under Windows 95 or ColorSync on the Macintosh.

Follow these steps to customize your color settings:

1. Access the More Settings dialog box as described on page 2-4. The color settings appear on the right side of the dialog box, as shown:



Windows
(ICM is available only for Windows 95)

2. Choose one of the following Color Adjustment Modes or choose another mode, as described in step 4:
 - ▶ **Automatic**
Analyzes the color information in your project and optimizes color correction accordingly.
 - ▶ **Photo-realistic**
For printing color photographs.
 - ▶ **Vivid**
For printing graphics-intensive documents like presentation pages with charts and graphs. Intensifies colors and lightens the midtones and highlights.
 - ▶ **No Color Adjustment (Windows NT 4.0 and Macintosh only)**
With Windows NT 4.0, disables the color adjustment features of the printer software so you can adjust colors using your application. On a Macintosh, choose this mode only if you're using ColorSync.

3. If you want to change individual color characteristics, use the scroll bars to increase (drag right) or decrease (drag left) the settings listed below. (If you use one of the options described in step 4, you won't be able to specify individual color characteristics.)
 - ▶ **Brightness**
Makes your image lighter or darker.
 - ▶ **Contrast**
Increases or decreases the difference between the bright or dark parts of an image.
 - ▶ **Saturation**
Makes colors more vivid or less vivid.
 - ▶ **Cyan, Magenta, Yellow**
Increases or decreases the amount of the three ink colors that combine to make a full-color picture. Use to fine-tune the color balance in your printout.



Note:
When you choose Video/Digital Camera, ICM, or ColorSync, the individual color characteristics described in step 3 are preset.

The availability of ICM depends on your Print Quality, Media Type, and Halftoning settings.

4. To fine-tune color correction for video/digital images or to closely match screen colors, choose one of these modes instead of a Color Adjustment Mode:
 - ▶ Video/Digital Camera (not available for Windows NT)
Use for printing images captured from a digital camera or video. Increases contrast and saturation and makes the image sharper.
 - ▶ ICM (Windows 95 only)
Automatically adjusts printout colors to closely match colors on the screen.
 - ▶ ColorSync (Macintosh only)
Automatically adjusts printout colors to closely match colors on the screen. See “Using ColorSync on the Macintosh” below for instructions.
5. Click OK to return to the Main printer settings dialog box.
6. Click Save Settings if you want to save your custom settings as a group that you can reuse for special projects. See page 2-12 for instructions.
7. Click OK (Windows) or Print (Macintosh). If you’re using Windows, click any other buttons that your application uses for printing.

Using ColorSync on the Macintosh

Every device you use for viewing or producing colors—your monitor, scanner, and printer—uses a different color technology. That’s why it’s difficult to get printed colors to match the colors displayed on your monitor.

Each device has its own gamut, or range of colors, that it can reproduce. The Macintosh ColorSync system translates colors from one gamut to another so your monitor’s colors match your printer’s colors as closely as possible.

ColorSync uses profile information from each device—including your EPSON Stylus COLOR 3000—to achieve accurate color matching. First you set your monitor's profile. Then you can use your printer software to specify the exact method of “gamut mapping” (color matching) you want to use. Follow these steps:

1. Click ColorSync System Profile under Control Panels on the Apple menu.
2. Click the Set Profile button.
3. Select your monitor from the list, and then click Select.
4. Close ColorSync System Profile.
5. Open the application you want to print from.
6. Access the printing dialog box as described on page 1-10. Click Advanced and then click More Settings.
7. Click ColorSync on the right side of the dialog box.
8. For Profile, choose EPSON Standard.
9. Choose one of the following options for Rendering Intent:
 - ▶ **Perceptual**
For printing photographs. Adjusts the colors displayed on the monitor so they fit within the printer's gamut, but maintains the relationships between colors.
 - ▶ **Saturation**
For printing graphics-intensive documents like presentation pages with charts and graphs. Maintains the relative saturation of colors from one gamut to another.
 - ▶ **Colorimetric**
For matching colors as precisely as possible. Maintains colors that fall within the gamuts of the monitor and printer, but may lose some detail where the colors are outside the printer's density range.
10. Click OK, and then click Print.



Note:
The EPSON Standard profile is custom-designed for your printer. If you use a scanner or other color imaging equipment, you may have other profiles available.

The Saturation and Colorimetric options are only available when you're using Fine - 720 dpi or SuperFine - 1440 dpi Print Quality.



Note:
You can save up to
10 groups of settings.

If you change the Media Type or Ink setting when your customized setting is selected, the setting selected in the list changes to Custom Settings. To return to your customized setting, reselect it in the list. To redefine a customized setting, see page 2-13.

Saving Custom Settings

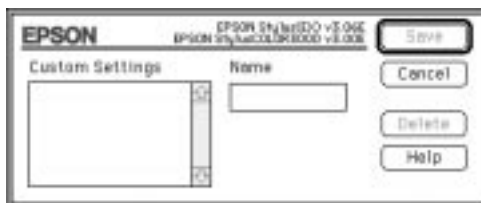
After you've fine-tuned your printer settings for a special project, you can save your settings as a group with a unique name and add it to the Custom Settings list on the Main menu. Then you can easily select the settings the next time you print a similar project. Follow these steps:

1. Customize your printer settings as described in this chapter.
2. Click the Save Settings button on the Main printer settings dialog box. (If Save Settings is grayed out, click Advanced)

You see one of the following:



Windows



Macintosh

3. Type a unique name for your settings (up to 16 characters) and click the Save button.

The name you choose is now available on the Main printer settings dialog box when you click Advanced, and then Custom Settings.

Deleting Custom Settings

If you no longer need a customized setting, follow these steps to delete it:

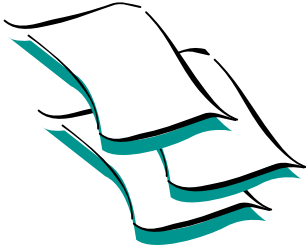
1. Select Advanced mode.
2. Click Save Settings.
3. Select the name of your custom setting group in the Custom Settings box, and click Delete. (You cannot delete any of the predefined document types.)

Redefining Custom Settings

To change the options in a customized setting group but keep the same name for it, follow these steps:

1. Select Advanced mode.
2. Select the name of the custom setting group you want to redefine in the Custom Settings list.
3. Change the printer settings as necessary. (If you change the Media Type and Ink settings, the custom setting group name reverts to Custom Settings; this doesn't affect your customized setting.)
4. Click Save Settings.
5. Select the name of the custom setting group you're redefining in the Custom Settings box.
6. If you're using Windows, click Save. You see the Save As dialog box. Click OK to save your redefined settings. (Click Cancel to cancel your changes.)

On a Macintosh, click the Redefine button. Then click Replace at the confirmation dialog box to save your redefined settings. (Click Cancel to cancel your changes.)



3

Printing on Special Media

Your EPSON Stylus COLOR 3000 lets you print on just about any kind of paper you want to use. You can get great results printing on plain paper, letterhead, and envelopes. But you'll get the best results with EPSON's specially coated ink jet paper. You can choose from a variety of EPSON media, ranging from glossy paper and transparencies to iron-on transfer paper and canvas cloth.

Your printer's versatile feeding options let you load media of almost any size or format, including single sheets, continuous paper, and roll paper for banners and signs. You can even load two types of paper at once, switching between them with the flip of the paper-release lever when you're ready to print on them.

This chapter covers the following:

- Using special media
- Printing on single sheets
- Printing on continuous paper
- Adjusting the loading and tear-off positions
- Switching between continuous and single-sheet paper
- Printing a banner or other roll paper project
- Printing a backlit display

Using Special Media Types

The type of paper or other media you use is one of the most important factors in determining the quality of your printed output. You can use most plain paper with your printer and achieve good results. For better results, use EPSON specially coated ink jet paper because it provides the best surface for the ink used in your printer. EPSON offers specially designed media for EPSON ink jet printers in a variety of sizes.

To order EPSON papers and other media, contact your dealer or call EPSON Accessories at (800) 873-7766 (U.S. sales only). In Canada, please call (800) 873-7766 for dealer referral.

Media name	Size	Part number
EPSON 360 dpi Ink Jet Paper	Letter	S041060
	A4	S041059
	Super A3/B	S041066
EPSON High Quality Ink Jet Paper	Letter	S041111
	A4	S041117
EPSON Photo Quality Ink Jet Paper	Letter	S041062
	A4	S041061
	Legal	S041067, S041048
	B	S041070
	Super A3/B	S041069
	A2	S041079
EPSON Photo Quality Glossy Paper	A4	S041126
	Letter	S041124
	A2	S041123
	Super A3/B	S041133
EPSON Photo Quality Glossy Film	A4	S041071
	Letter	S041072
	A6	S041107
	B	S041075
	Super A3/B	S041074
	EPSON Ink Jet Transparencies	A4
Letter		S041064
EPSON Photo Quality Ink Jet Cards	A6	S041054
	8 × 10	S041122

Media name	Size	Part number
EPSON Iron-On Transfer Paper	Letter Super A3/B	SE41001, SE41002 SE41003
EPSON Photo Quality Self Adhesive Sheets	A4	S041106
EPSON Photo Quality Banner Paper	A2 × 15 m roll (16.5 inches × 49.2 ft)	S041102
EPSON Ink Jet Canvas Cloth	A2 × 3 m roll (16.5 inches × 9.8 ft)	S041132
EPSON Ink Jet Back Light Film	A2 A3	S041130 S041131

Media Loading and Software Settings Guidelines

Whether you print on plain paper or special media, you need to load it according to the guidelines in the table below. You must also be sure to select the correct Media Type setting in your printer software and on the printer's control panel (Windows 95 and Macintosh only) to match the media you loaded. See page 3-5 for additional guidelines.

When you load media with this name . . .	Load a maximum of this many sheets in the built-in sheet feeder as described on page 3-7 . . .	Then select this Media Type setting in your printer software . . .
Plain paper (single sheets)	100 letter size 30 Super A3/B size 30 A2 size	Plain paper
Plain paper (continuous paper)	(See " Printing on Continuous Paper" on page 3-15.)	
Envelopes (remember to set the thickness lever forward) ¹	10	
Labels (single sheets)	(See " Loading Paper in the Manual Feeder" on page 3-12.)	
Continuous label paper	(See " Printing on Continuous Paper" on page 3-15.)	

Printing on Special Media

When you load media with this name . . .	Load a maximum of this many sheets in the built-in sheet feeder as described on page 3-7 . . .	Then select this Media Type setting in your printer software . . .
EPSON 360 dpi Ink Jet Paper	70 letter size 30 legal size 30 Super A3/B size 30 A2 size	360 dpi Ink Jet Paper
EPSON Special Coated Paper for 360 dpi Printing		
EPSON High Quality Ink Jet Paper	70 letter size 30 legal size 30 Super A3/B 30 A2 size	Photo Quality Ink Jet Paper
EPSON Photo Quality Ink Jet Paper		
EPSON Special Coated Paper for 720 dpi Printing		
EPSON Photo Quality Ink Jet Cards	30 cards ¹	
EPSON 720 dpi Index Cards		
EPSON Photo Quality Self Adhesive Sheets	(See "Loading Paper in the Manual Feeder" on page 3-12.)	
EPSON Photo Quality Banner Paper	(See "Loading Roll Paper" on page 3-24.)	
EPSON Photo Quality Glossy Paper (use with support sheet)	20 letter size	Photo Quality Glossy Paper
EPSON Photo Quality Glossy Film (use with support sheet)	30 letter size 1 A2 size	Photo Quality Glossy Film
EPSON High Quality Glossy Paper (use with support sheet)	30 letter size 1 A2 size	
EPSON Iron-On Transfer Paper ²	1 sheet	
EPSON Ink Jet Transparencies (use with support sheet)	30 letter size	Ink Jet Transparencies
EPSON Ink Jet Back Light Film	1 sheet	Ink Jet Back Light Film
EPSON Ink Jet Canvas Cloth	(See "Loading Roll Paper" on page 3-24.)	Ink Jet Canvas Cloth

¹ Load with the short edge leading into the feeder. Remember to set the thickness lever forward.

² Use the Flip Horizontal option to reverse your image before you print it—especially if it includes text—so the image will appear correctly when it's transferred. See Chapter 2 for instructions.

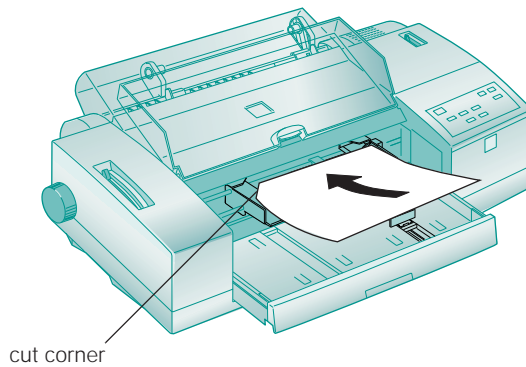
Additional Media Loading Guidelines

- ▶ If the corresponding Media Type option for your paper is not shown in the Media Type list, change the Print Quality setting in the More Settings dialog box, select Automatic as the Mode setting, or change the predefined setting in the Custom Settings list on the Main menu. See Chapter 2 for more information.
- ▶ In addition to the Media Type option, remember to select the correct Paper Size for your media.
- ▶ Some special media have a cut corner that you need to position correctly; follow any instructions in the package. Always handle sheets by the edges, and don't touch the printable surface.

If the special media has protective sheets between each sheet of media, be sure to remove the protective sheets before printing.

- ▶ Be sure to load the printable side of the media in the correct direction for the feeder you're using. When you're loading pre-printed paper, such as letterhead or forms, position the paper as follows:
 - ▶ Load it with the top edge leading into the printer
 - ▶ Place the printable side:
Down in the sheet feeder
Up in the manual feeder, on the built-in tractor feeder, or on the roll paper feeder
- ▶ Use ink jet papers within one year of purchase. Use glossy media and transparencies within six months. Return unused sheets and envelopes to their original packages as soon as possible. See Appendix C for more media storage information.
- ▶ Some EPSON media include a cleaning sheet. After you finish printing a package of EPSON media, use the cleaning sheet included with the media. See the instructions on the

cleaning sheet for more information. Be sure to load the cleaning sheet in the paper tray with the cut corner positioned as shown below:



- ▶ See the following sections for complete media loading instructions:
 - ▶ See page 3-7 for paper tray (built-in sheet feeder) instructions
 - ▶ See page 3-12 for manual feeder instructions
 - ▶ See page 3-15 for continuous paper instructions.
 - ▶ See page 3-24 for banner paper instructions.

Printing on Single Sheets

You can print on single sheets of paper up to 17 inches wide (432 mm) in your printer using the paper tray (built-in sheet feeder) or the manual feeder.

You'll probably use the paper tray at the front of your printer for the paper size you use most often. Then you can use the manual feeder at the top of the printer for loading individual, large format sheets or roll paper held in the roll paper holder. (See page 3-23 for more information on the roll paper holder.)

Follow the instructions in the sections below to load single sheets of paper from these feeders.

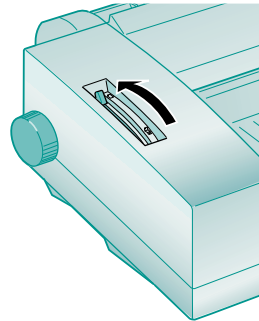


Note:
The maximum printable
width is 16.3 inches
(416 mm) on any size
paper.

Loading Paper in the Paper Tray

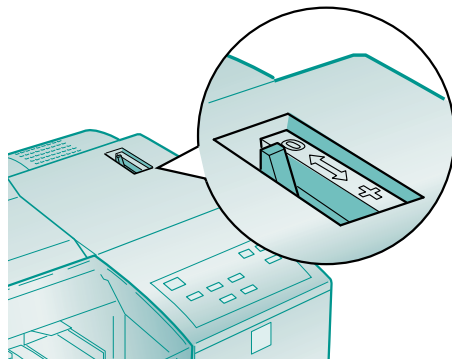
You can load any type of paper up to 17 inches wide (432 mm) in the paper tray, but do not load the stack above the arrow mark on the right edge guide. If you load paper more than 14.3 inches (364 mm) wide, load a maximum of 30 sheets at a time, regardless of the paper type. Always load paper before you send a print job.

1. Turn on the printer.
2. Move the paper-release lever backward to the single sheet position.

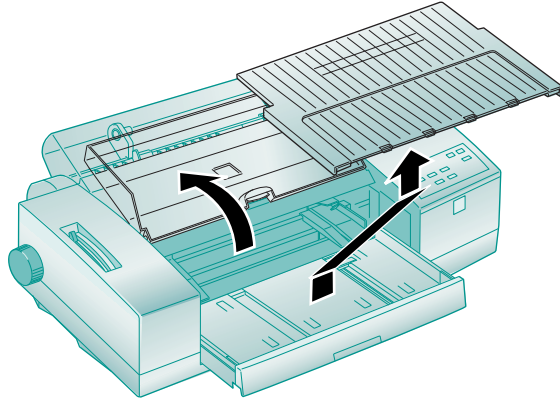


3. Set the thickness lever backward to the 0 position for plain paper, ink jet paper, transparencies, transfer paper, and labels.

Set the thickness lever forward to the + position for envelopes, ink jet cards, and heavy paper.

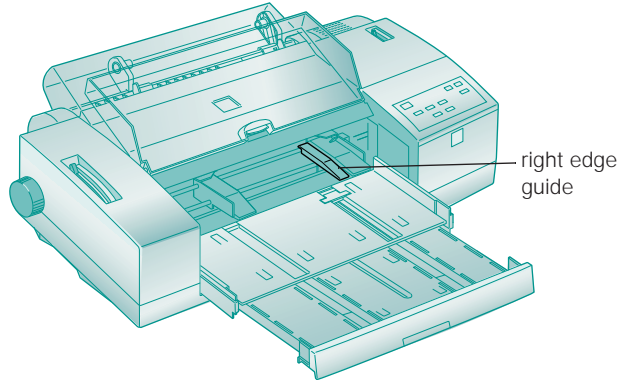


4. Open the printer hood and remove the paper tray cover.

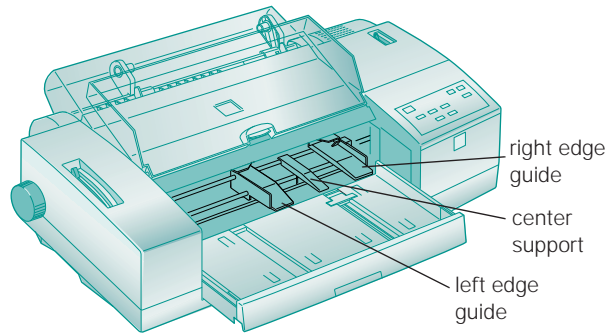


5. If you'll be printing on paper that is 16.5 inches (420 mm) wide or less, slide the **right** edge guide all the way **left** until it clicks into place.

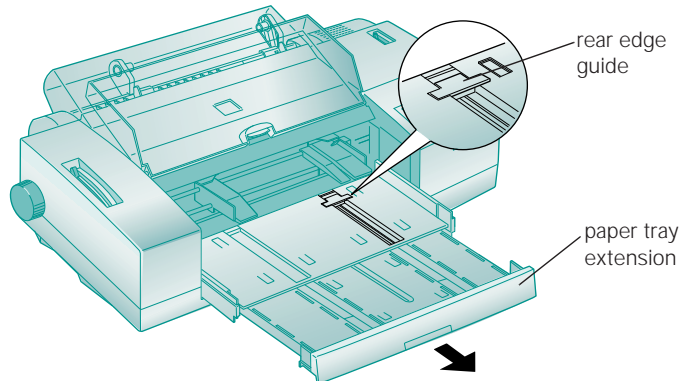
If the paper is more than 16.5 inches (420 mm) wide, slide the **right** edge guide all the way **right**.



6. Slide the left edge guide to match the approximate width of your paper. Then move the center support midway between the two edge guides.

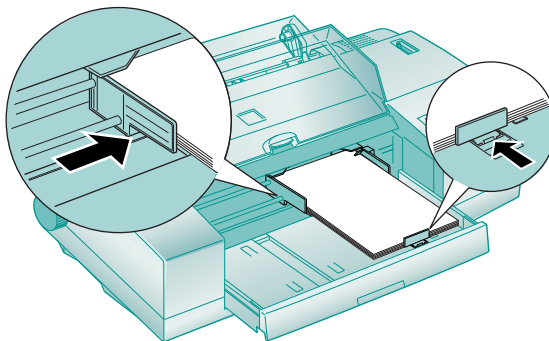


7. If you are printing on paper longer than A4 (11.75 inches), fold down the rear edge guide and pull out the paper tray extension (the paper tray extension acts as the rear edge guide.)

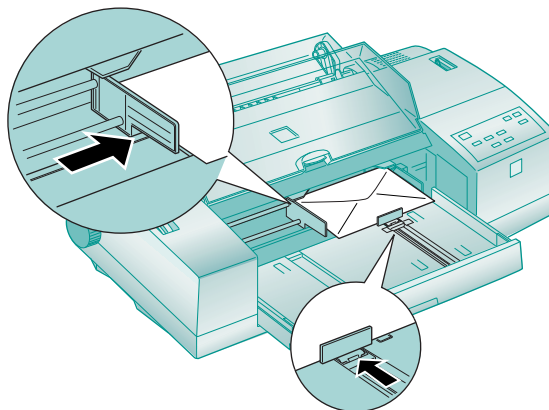


8. Fan your stack of paper and then even the edges.

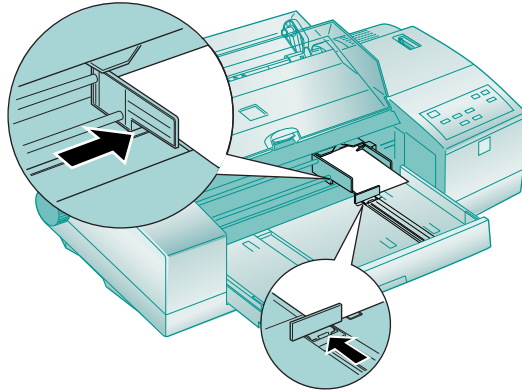
9. Load the stack with the printable side **face down** and slide it all the way into the feeder. Gently press the stack against the right edge guide.



If you are loading envelopes, place the envelopes **face down** with the flap edge leading into the feeder. You can load a maximum of 10 envelopes.

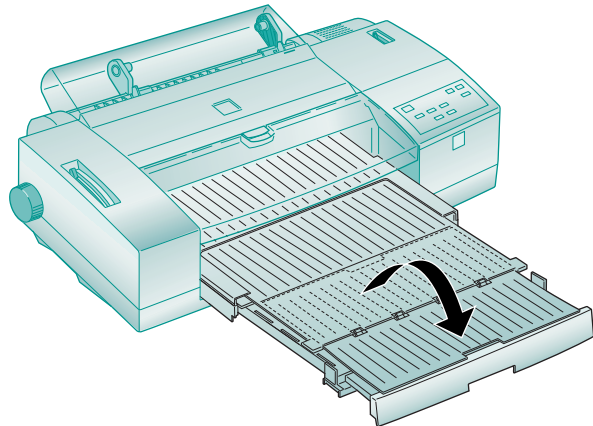


If you are loading ink jet cards, place the cards face down with the **short edge** leading into the printer.



10. Slide the left edge guide against the left side of the paper.
11. Slide in the rear edge guide or paper tray extension to match the length of your paper.
12. Replace the paper tray cover and close the printer hood.

If you've loaded paper longer than A4 (11.75 inches), pull out and unfold the paper tray cover extension to match the length of the paper tray.





Note:

Make sure that paper isn't loaded in the manual feeder at the top of the printer before sending your print job. If paper is loaded in the manual feeder, the printer will print on it instead of the paper in the built-in sheet feeder.

13. Now follow the instructions in Chapters 1 or 2 to select the correct Paper Source, Paper Size, and other settings in your printer software. Then send a print job.
 - ▶ If the printer runs out of paper during a print job, reload the paper tray and press the Pause button to continue printing.
 - ▶ If the ink smears on your document, set the thickness lever to the + position and reprint; see page 3-7.
 - ▶ If your margins are not where you like them, adjust them in your application software. However, if the problem seems to be with your paper's loading position, you can change it using the Micro Adjust buttons; see page 3-20 for instructions.

Loading Paper in the Manual Feeder

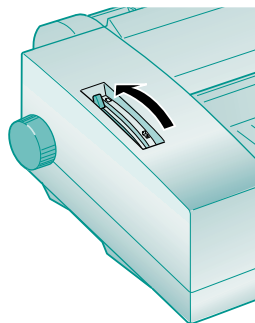
You can load **one** single sheet of paper in the manual feeder without removing paper from the paper tray. Load any type of paper that is between 4.1 inches (105 mm) and 17 inches (432 mm) wide. Always load paper before you send a print job.

1. Turn on the printer.
2. Move the paper-release lever backward to the single sheet position.



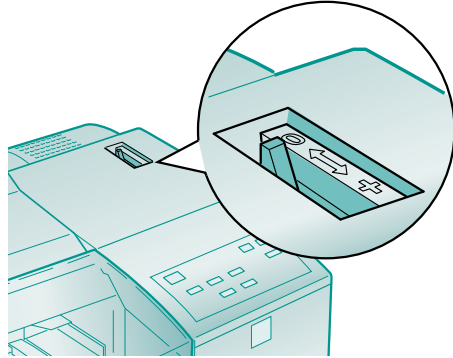
Note:

To load banner paper, canvas cloth, or other roll paper in the manual feeder, you must use the roll paper holder. See page 3-23 for instructions.



3. Set the thickness lever backward to the 0 position for plain paper, ink jet paper, transparencies, transfer paper, and labels.

Set the thickness lever forward to the + position for envelopes, ink jet cards, and heavy paper.

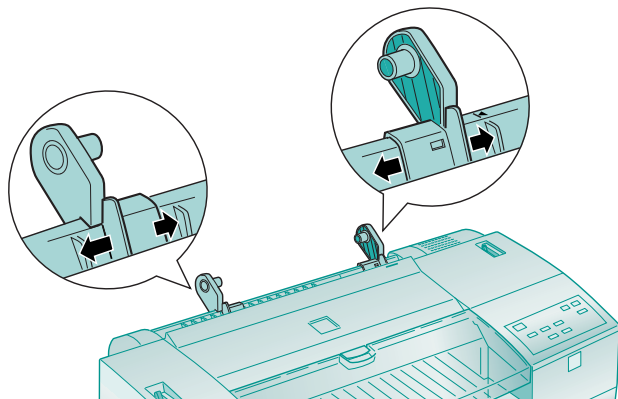


4. If any paper is currently loaded in the paper path from the paper tray or the tractor feeder, press the Load/Eject button to eject the paper or park it out of the way.
5. If you'll be printing on paper that is 14.3 inches (364 mm) wide or less, slide the **right** edge guide on the manual feeder so its right edge aligns with the arrow mark on the manual feed guide.

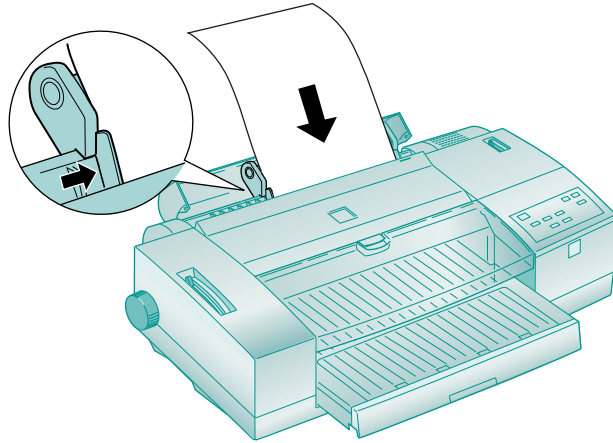


Note:
The maximum printable width is 16.3 inches (416 mm) on any size paper.

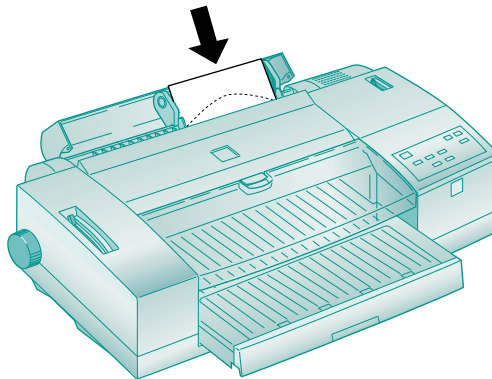
If the paper is more than 14.3 inches (364 mm) wide, slide the **right** edge guide all the way **right**.



6. Slide the **left** edge guide to the approximate width of your paper.
7. Load the paper with the printable side **face up** and its right edge against the right edge guide. Then gently slide it into the manual feeder until the printer pulls it in.



You can load one envelope in the manual feeder **face up** with the flap edge leading into the feeder. Gently slide the envelope into the manual feeder until the printer pulls it in.



If the paper doesn't load straight, press the Load/Eject button on the printer's control panel to eject the paper; then load it again.



Note:

Make sure that paper isn't loaded from the paper tray before sending a print job for paper in the manual feeder. If paper is loaded from the paper tray, the printer will print on it instead of the paper in the manual sheet feeder.



When you print on continuous paper, it is a good idea to turn on auto tear-off mode so the printer paper can advance to the tear-off position automatically. Follow the instructions on page 5-3.



Note:

The maximum printable width is 15 inches (381 mm) on continuous paper.

8. Now follow the instructions in Chapters 1 or 2 to select the correct Paper Source, Paper Size, and other settings in your printer software. Then send a one-page print job.

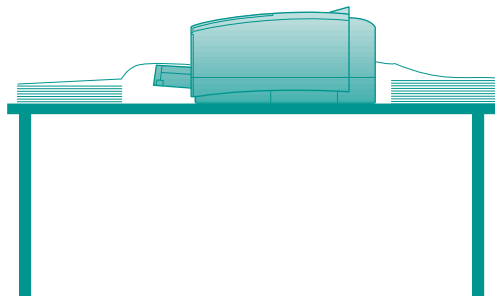
- ▶ If the ink smears on your document, set the thickness lever to the + position and reprint; see page 3-13.
- ▶ If your top and bottom margins are not where you like them, adjust them in your application software. However, if the problem seems to be with your paper's loading position, you can change it using the Micro Adjust buttons; see page 3-20 for instructions.

To print another document in the manual feeder, load the paper as described above. To switch back to printing from the paper tray, press the Pause button to turn off the Pause light. Then send another print job.

Printing on Continuous Paper

You can load continuous paper in the built-in tractor feeder on the back of the printer without removing paper from the paper tray. Load any type of continuous paper that is between 4 inches (102 mm) and 16 inches (406 mm) wide, such as greenbar computer paper, fanfold banner paper, or continuous label paper. Always load paper before you send a print job.

1. Turn on the printer.
2. Set up your printer so there's enough room in the back to feed the paper and enough room in front for the printed pages to stack without obstruction. Position the paper supply within 3 feet (1 meter) of the printer.



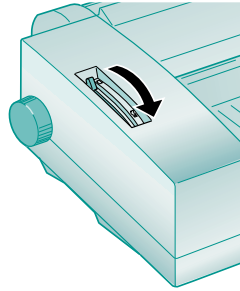
Printing on Special Media



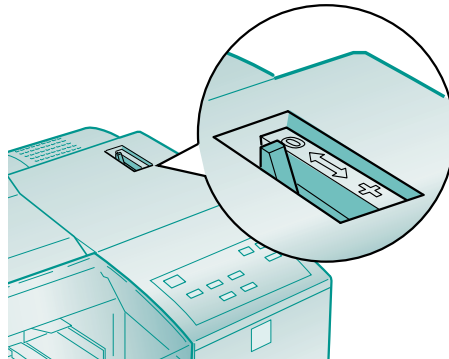
Caution:

If you load continuous label paper, make sure the printer's auto tear-off feature is turned off. If you have this feature turned on, labels could be fed backward and peel off inside the printer. See page 5-3 for instructions on changing the auto tear-off setting using default-setting mode.

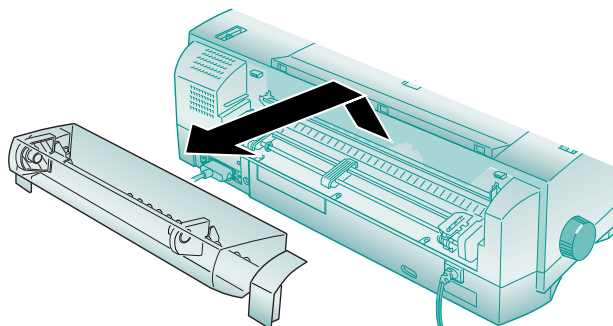
3. Move the paper-release lever forward to the continuous paper position.



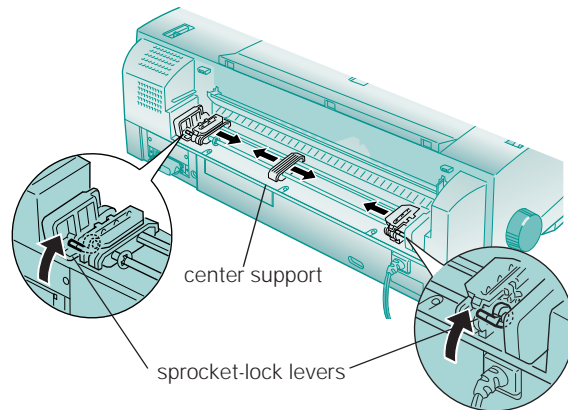
4. Set the thickness lever backward to the 0 position.



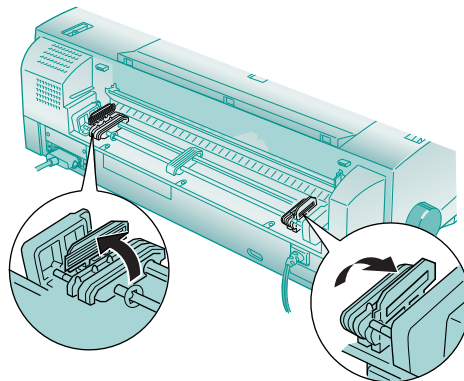
5. Remove the manual feed guide by lifting it off the printer.



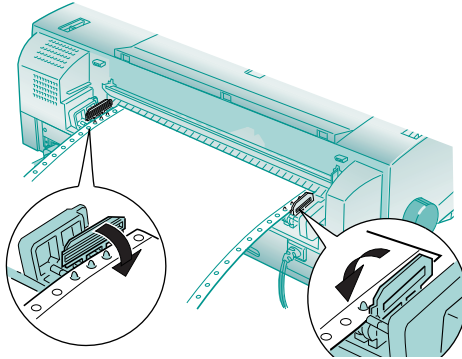
6. Pull up the blue sprocket-lock levers to unlock them so you can slide the sprockets into position.




7. Slide the **left** sprocket all the way **right** until it stops. Press down the sprocket-lock lever to lock it in place.
8. Slide the right sprocket to the approximate width of your paper. Then position the center support midway between the two sprockets, as shown in the previous illustration.
9. Flip open both sprocket covers.



10. Arrange the continuous paper stack so the printable side is **face up**. Fit the first four holes over the sprocket pins on both sprockets; then close the sprocket covers.

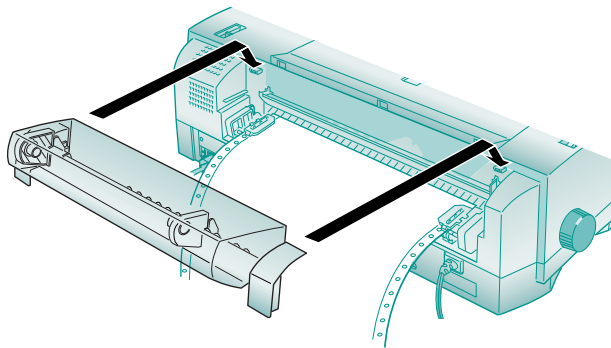


Note:

If you run out of continuous paper while printing, the Paper Out  and Pause lights come on. Load more paper on the tractor feeder and press the Pause button to continue printing.

11. Slide the **right** sprocket to remove any slack in the paper. Then press down the sprocket-lock lever to lock it in place. If necessary, align your stack of continuous paper so it will feed straight into the tractor feeder.

12. Reinstall the manual feeder on the top of the printer.



13. Make sure the edge of the paper tray is beneath the paper tray cover so the continuous paper does not catch on it as it ejects.



Caution:

If you need to adjust the loading position, see page 3-21. Never use the knob on the left side of the printer to adjust the loading or tear-off positions. This would damage your printer and cause it to lose the top-of-form position.



Note:

See Chapter 5 for information on using default-setting mode to change the auto tear-off setting for your print job.

14. Follow the instructions in Chapters 1 or 2 as necessary to send a print job. Be sure to select Tractor Feeder as the Paper Source option and then choose the correct Paper Size. The continuous paper loads and printing begins when the printer receives the print job.

Follow the steps in the next section to remove continuous paper correctly.

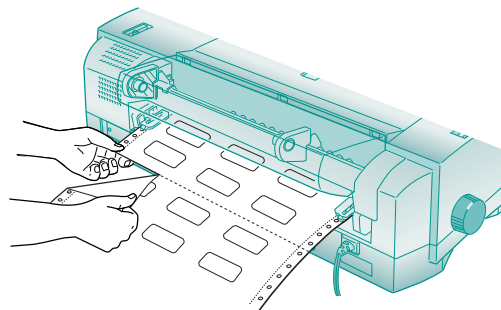
Removing Continuous Paper

When you've finished printing a continuous paper document, you must carefully follow these steps to remove it from the printer, depending on your media type and the setting of the auto tear-off feature.

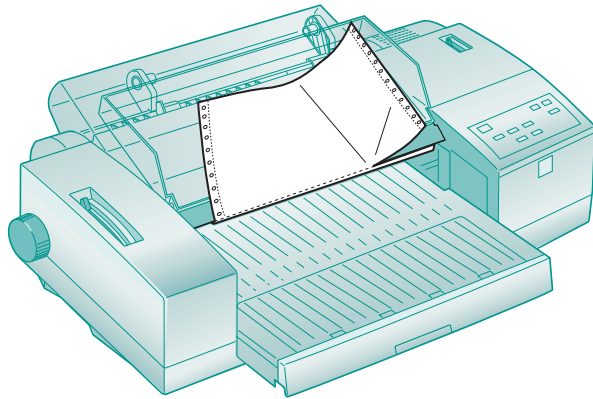
1. If the printer's auto tear-off feature is turned **on**, your continuous paper is automatically advanced to the tear-off position at the end of a print job. Go to step 2.

If the auto tear-off feature is turned **off** (the default setting), press the LF/FF button as many times as necessary to advance the last printed sheet to the tear-off edge. Go to step 2.

If the auto tear-off feature is turned **off** (the default setting), and you're printing labels, tear off the next sheet of labels at the **back** of the printer. Then press the LF/FF button on the printer's control panel as many times as necessary to eject the remaining pages from the printer. **Do not perform steps 2 and 3.**



2. Lift the printer hood and tear off the printed pages at the perforation by pulling it across the tear-off edge.



Caution:
Never press Load/Eject when you have continuous label paper loaded in the printer. This would feed labels backward, causing them to peel off inside the printer.

If the paper's perforation was not at the printer's tear-off edge, adjust the tear-off position as described on page 3-22. **Do not perform step 3.**

3. Press the Load/Eject button to feed the rest of the continuous paper backward to the paper-park position so it's ready for printing the next time you need it.

If the ink smears on your document, you can set the thickness lever to the + position and reprint; see page 3-13.

If your margins are not where you want them, adjust them in your application software. However, if you need to adjust your paper's loading position, you can change it using the Micro Adjust buttons. See the next section for instructions.

Using the Micro Adjust Buttons

The Micro Adjust  and Micro Adjust  buttons on your printer's control panel allow you to make quick adjustments to your paper's loading and tear-off positions.



Caution:
Never use the knob on the left side of the printer to adjust the loading or tear-off positions. This would damage your printer and cause it to lose the top-of-form position.

Adjust the paper's loading position if you notice that printing is too high or low on the page and the position cannot be corrected in your software program. You can even set separate loading positions for continuous paper, manually fed paper, or paper tray fed paper. The settings you make remain in effect until you change them again, even when you turn off the printer.

If you're using continuous paper and the perforation does not align with the printer's tear-off edge when you're done printing, you can use these buttons to adjust the tear-off position.



Adjusting the Loading Position

Follow these steps to adjust the loading position of your paper:

1. If you have continuous and single sheet paper loaded at the same time, the loading position you adjust is determined by the setting of the paper-release lever.

For continuous paper, set the paper-release lever backward to the continuous paper position.

For paper in the sheet feeder or the manual feeder, set it forward to the single sheet position.

2. Press the Load/Eject button to load a sheet of paper or load the first continuous sheet to the top-of-form position.
3. Press the Micro Adjust  button to feed paper **backward** or the Micro Adjust  button to feed paper **forward**. Press either button as many times as necessary to adjust the position. When the adjustment reaches the maximum setting for your printer, it does not move further.
4. Follow the instructions in Chapters 1 or 2 as necessary to send a print job.

The loading position you select remains in effect until you change it again, even when you turn off the printer.



Caution:

Never adjust the tear-off position when you're printing labels. This could feed labels backward, causing them to tear off inside the printer.

Adjusting the Tear-off Position

First make sure that continuous paper is loaded and parked in the current tear-off position (see page 3-19 for details). Follow these steps to adjust the tear-off position:

1. Press the Micro Adjust **▲** button to feed paper **backward** or the Micro Adjust **▼** button to feed paper **forward**. Press either button as many times as necessary to align the perforation with the tear-off edge. When the adjustment reaches the maximum setting for your printer, it does not move further.
2. Tear off any printed pages.
3. Press the Load/Eject button to feed the rest of the continuous paper backward to the paper-park position so it's ready for printing the next time you need it.

The tear-off position you select remains in effect until you change it again, even when you turn off the printer.

For instructions on setting your printer's auto tear-off mode, see Chapter 5.

Switching Between Continuous and Single Sheet Paper


When you have both continuous paper and single sheet paper loaded in the paper tray, you can switch between paper types whenever you need to print on them. Follow these steps:

1. If continuous paper remains inside the printer, tear off the printed pages. Then press the Load/Eject button on the printer's control panel to feed the paper backward to the paper-park position.

If single sheet paper is loaded, press the Load/Eject button to eject any sheets still inside the printer.



Note:

If the Pause and Paper Out  lights flash, you may have changed the paper-release lever position when paper was still loaded. Set the lever back to its original position and press the Load/Eject button to eject or park the paper. Then set the lever to its new position.

2. To switch to single sheet printing, move the paper-release lever backward to the single sheet position.

To switch to continuous paper printing, move the paper-release lever forward to the continuous paper position.

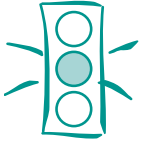
3. Now follow the instructions in Chapters 1 or 2 to select the correct Paper Source, Paper Size, and other settings in your printer software. Then send a print job. The printer loads the type of paper you selected when it receives the print job.

Printing a Banner or Other Roll Paper Project

You can use EPSON banner paper or canvas cloth to print a banner up to 44 inches long. EPSON Ink Jet Canvas Cloth has cloth-like texture—much like artist's canvas for painting—that gives a distinct look to your printed images.

First follow the instructions below to load the banner paper or canvas cloth from a roll. (You can also print a banner on continuous computer paper. See page 3-15 for paper loading instructions.) Then see the appropriate printing instructions for your software—Windows or Macintosh—in the sections that follow.

For best results and a more professional looking banner, the optional banner paper cutter (C815052) is recommended. Contact your dealer or call EPSON Accessories at (800) 873-7766 (U.S. sales only). In Canada, please call (800) 873-7766 for dealer referral.



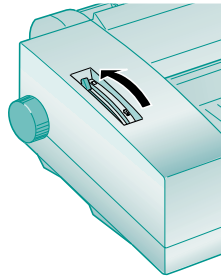
Caution:
Do not insert paper before
you turn on the printer.

Loading Roll Paper

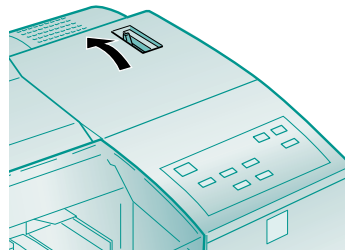
1. Before you load roll paper, follow the instructions on page 5-3 to set up the printer for banner printer using default-setting mode. Select these options:
 - ▶ Turn banner mode on so the printer doesn't advance all the roll paper out of the printer if you press the LF/FF button.
 - ▶ Turn auto tear-off mode on so the printer can advance the roll paper to the correct cut-off position.

When you've finished setting these options, turn off the printer to exit default-setting mode, wait 5 seconds, then turn on the printer before continuing with step 2.

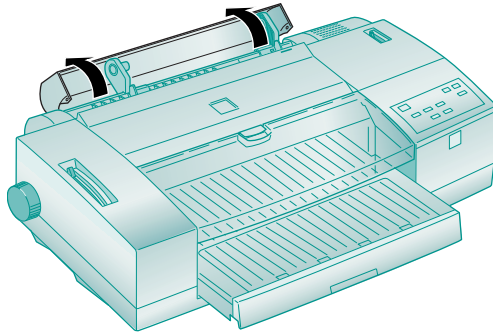
2. Move the paper-release lever backward to the single sheet position.



3. Set the thickness lever backward to the 0 position.

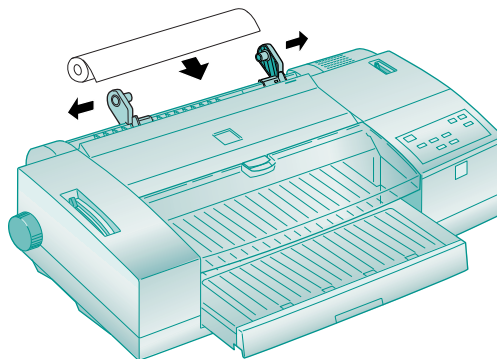


4. Open the banner paper cover.

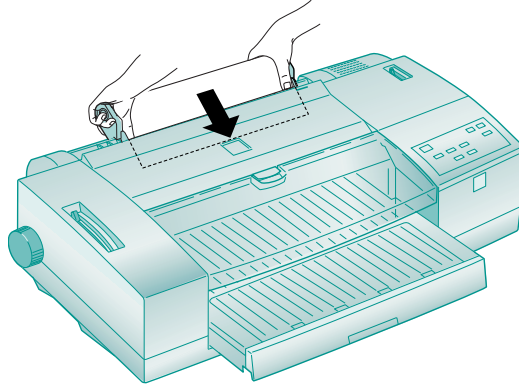


5. Slide both edge guides as far away from the center as they can go.
6. Position the banner paper roll so that the paper feeds into the printer from the top of the roll (the printable side is face up).

Place the banner paper roll on the right roll paper holder. Then slide the left banner paper holder to match the roll's width. Make sure the holders are snug against the banner paper roll, but do not squeeze the paper too tightly; otherwise the roll will not rotate properly.



7. Make sure the roll paper is tightly wound on the roll. While holding both ends of the roll, slowly feed the paper into the manual feed slot until it meets resistance. The printer automatically feeds the paper to the loading position. (If the paper is crooked, press the Load/Eject button to backfeed the paper and try loading it again.)



8. Follow the instructions below to print your banner on either a Windows computer or a Macintosh.

Printing a Banner from Windows

Follow these steps to print a banner or other custom-size project on a Windows computer:

1. Create the document in your word processor or other application software. You can create a banner in either portrait or landscape orientation.
2. Choose Print or Print Setup from the File menu. You see a printing dialog box for your application.
3. Make sure your printer is selected, and then click the Printer, Setup, Properties, or Options button. (You may have to click a series of these buttons, depending on your software.) You see the Main printer settings dialog box, as shown on page 1-2.

4. Click the Paper tab. You see a dialog box like the following:



Click to select a paper size

Click to select a paper source



Note:
Your software application may allow you to print a banner longer than 44 inches. See your software documentation for details.

5. If you're printing on roll paper, select Manual Feed Slot (Banner) from the Paper Source list. At the end of the Paper Size list, select one Long Paper $17 \times n$ options, where n is the length of your banner (up to 44 inches). If your paper size is not in the list, go to step 6; otherwise, continue with step 7.

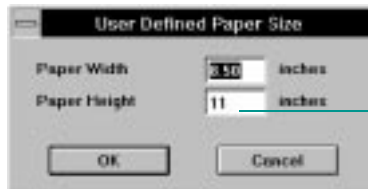
If you're printing a banner on continuous computer paper, select Tractor Feeder for the Paper Source. At the end of the Paper Size list, select one of the Fanfold $nn \times n$ in. options, where nn is the width of your paper and n is the length of your banner. If your paper size is not in the list, go to step 6; otherwise, continue with step 7.



Note:

With Windows NT, the User Defined Paper Size dialog box includes settings for units of measure, naming of the paper size (up to 16 characters), and saving of multiple user defined paper sizes. For instructions on using these settings, click the Help button at the bottom of the Paper dialog box.

6. At the end of the Paper Size list, choose User Defined. The following dialog box appears:



For banner printing, type any size up to 44 inches

Type in your paper's width in the Paper Width field and a length up to 44 inches for the Paper Height. (This works for banners in either landscape or portrait orientation.) Click OK. Go to step 7.

7. Choose Portrait or Landscape if you haven't already specified the orientation in your application software. Set the printable area if necessary.
8. Click the Main tab to return to the Main printer settings dialog box.
9. Choose the Media Type setting that matches your banner paper or canvas cloth as described in the table on page 3-3. (For continuous computer paper, choose Plain Paper.)

Check the rest of the printer software settings as described in Chapters 1 and 2. Then click OK.
10. Click Close, OK, or Print to print your banner. (You may need to click a series of these buttons, depending on your software.)



Note:
The printer saves the cut off (or tear off) position and it remains in effect until you change it again, even after turning off the printer.

11. When your print job finishes printing, the printer feeds the paper to the default cut off (or tear off) position (as long as the auto tear-off feature is on in default-setting mode). If necessary, press the Micro Adjust buttons to move the paper forward or backward to the cut off position.
12. If you are using the optional Banner Paper Cutter, follow the instructions on page 3-32. Otherwise, use scissors to cut the paper.

To remove continuous paper, see page 3-19.

If you want to print another roll paper project, the printer feeds the roll paper back to the loading position when it receives a new print job.

If you won't be using your roll paper for awhile, store it in its original packaging. See Appendix C for optimum storage conditions.

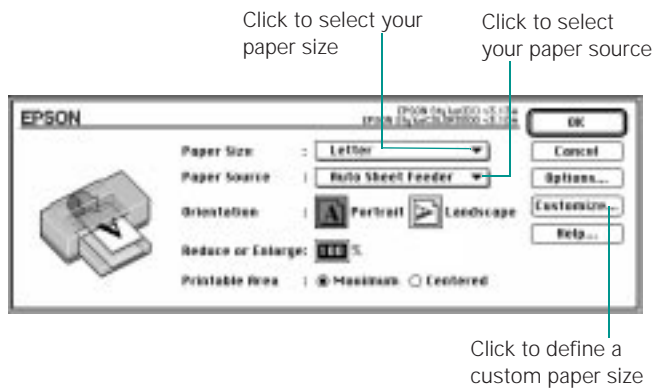
Before printing on another type of paper, be sure to change the Paper Source, Paper Size, and Media Type settings in your printer software as described in Chapters 1 and 2.

Also be sure to turn off banner mode using the default-setting mode instructions on page 5-3.

Printing a Banner from a Macintosh

Follow these steps to print a banner or other custom-size project on a Macintosh:

1. Create the document in your word processor or other application software. You can create a banner in either portrait or landscape orientation.
2. Choose Page Setup from the File menu. You see a dialog box like the following:



3. If you're printing on roll paper, select Manual Feed Slot(Banner) from the Paper Source list.

If you're printing a banner on continuous computer paper, select Tractor Feeder for the Paper Source.

4. Click the Customize button. The following dialog box appears:



5. Click the New button.



You can create up to eight custom paper sizes. Give each one a unique name so you'll be able to reuse them by selecting them from the Page Size list in the Page Setup dialog box.



Note:
Your software application may allow you to print a banner longer than 44 inches. See your software documentation for details.



Note:
The printer saves the cut off (or tear off) position and it remains in effect until you change it again, even after turning off the printer.

6. Type a name for your custom size in the New Paper Size box. Then type your paper's width in the Width field and a length of up to 44 inches for the Height. (This works for banners in either "landscape" or "portrait" orientation.) Click OK.
7. Choose Portrait or Landscape, depending on the orientation of the banner or document you created. Set the printable area if necessary.
8. Click OK.
9. Choose Print from the File menu or click the print icon in your application. You see a printer settings dialog box (as shown on page 1-10).
10. Choose the Media Type setting that matches your banner paper or canvas cloth as described in the table on page 3-3. (For continuous computer paper, choose Plain Paper.)
11. Check the rest of the printer software settings as described in Chapters 1 and 2. Then click Print to print your banner.
12. When your print job finishes printing, the printer feeds the paper to the default cut off (or tear off) position (as long as the auto tear-off feature is on in default-setting mode). If necessary, press the Micro Adjust buttons to move the paper forward or backward to the cut off position.
13. If you are using the optional Banner Paper Cutter, follow the instructions on in the following section. Otherwise, use scissors to cut the paper.

To remove continuous paper, see page 3-19.

If you want to print another roll paper project, the printer feeds the roll paper back to the loading position when it receives a new print job.

If you won't be using your roll paper for awhile, store it in its original packaging. See Appendix C for optimum storage conditions.

Before printing on another type of paper, be sure to change the Paper Source, Paper Size, and Media Type settings in your printer software as described in Chapters 1 and 2.

Also be sure to turn off banner mode using the default-setting mode instructions on page 5-3.



Note:
If you purchased the optional banner paper cutter, see its documentation for installation instructions.

The roll paper cut-off position you set remains in effect until you change it again, even when you turn off the printer.

Removing a Printed Banner

Follow these steps to remove a printed banner using the optional banner paper cutter:

1. If you turned auto tear-off mode **on** (as instructed in step 1 on page 3-24), the printer automatically feeds the paper to the tear-off position when it's finished printing. If you didn't turn on auto tear-off mode, press the LF/FF button to advance the paper to the cut-off position.

Press Micro Adjust **↓** and Micro Adjust **↑** buttons as necessary to move the end of the banner to the edge of the banner paper cutting guide.


2. Insert the left edge of the paper into the slot on the cutting unit.
3. Slowly slide the cutting unit all the way to the right while lifting up slightly on the left edge of the paper. If you slide the cutting unit too quickly, apply uneven pressure, or pull on the paper, your banner will have an uneven, rippled edge instead of a smooth one.
4. Slide the cutting unit all the way to the left. Otherwise, the next time you print, you may get a paper jam.
5. If you want to print another roll paper project, the printer will feed the roll paper back to the loading position when it receives a new print job. Go to step 10.

If you won't be using the roll paper again right away, continue with step 6.



Note:
You don't need to remove the banner paper cutter when printing on other media. Simply slide it all the way to the left when you're finished cutting with it.

If you need to remove the banner paper cutter, see its documentation for removal instructions.

6. Press the Load/Eject button to eject the paper backward.
7. Using your hands, roll back the paper all the way out of the manual feed slot and onto the roll. When it's completely out, the Pause and Paper Out  lights turn on.
8. Press the Pause button to turn off the lights.
9. If you won't be using your roll paper for awhile, store it in its original packaging. See Appendix C for optimum storage conditions.
10. Before printing on another type of paper, be sure to change the Paper Source, Paper Size, and Media Type settings in your printer software as described in Chapters 1 and 2.

Also be sure to turn off banner mode using the default-setting mode instructions on page 5-3.

If you'll be printing on continuous paper, also be sure to reset the paper-release lever, as described on page 3-16.

Printing a Backlit Display

You can use EPSON Ink Jet Back Light Film to print crisp, translucent images for backlit display. Your printer software automatically makes a mirror image of your design so it appears correctly when viewed from the reverse side. Follow the steps in this section to load a sheet of back light film and select the correct printer settings for a backlit display.

Loading Back Light Film

Before loading the back light film, make sure the sheet is flat. If the film curls, place it between two sheets of paper and put a heavy object on top to flatten it.

You can load one sheet of back light film at a time as follows:

- ▶ Load it in the paper tray with the printable, non-glossy, white surface **face down** following the instructions on page 3-7.
- ▶ Load it in the manual feeder with the printable, non-glossy, white surface **face up** following the instructions on page 3-12.

Printing a Backlit Display from Windows

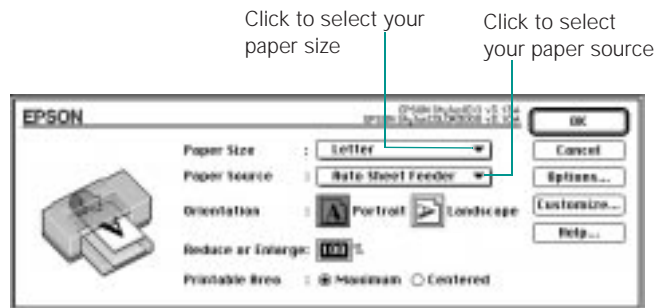
1. Create the document in your word processor or other application software.
2. Choose Print or Print Setup from the File menu. You see a printing dialog box for your application.
3. Make sure your printer is selected, and then click the Printer, Setup, Properties, or Options button. (You may have to click a series of these buttons, depending on your software.) You see the Main printer settings dialog box.



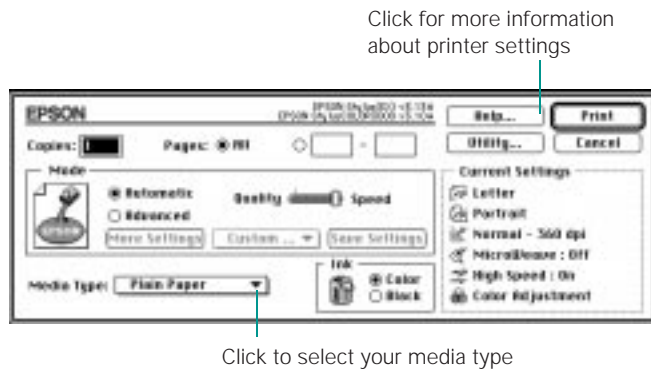
4. Select Ink Jet Back Light Film as the Media Type setting. This chooses the best printer driver settings for printing on back light film and automatically turns on the Flip Horizontal feature so your image will appear correctly when viewed from the reverse side.
5. Check the rest of the printer software settings available on the Main menu as described in Chapters 1 and 2.
6. Click the Paper tab.
7. Choose the Paper Source you're using, either Auto Sheet Feeder (for the paper tray) or Manual Feed Slot (for the manual feeder).
8. Then select the size of your back light film as the Paper Size setting.
9. Click OK to save your settings and exit the printer software.
10. Click Close, OK, or Print to print your backlit display. (You may need to click a series of these buttons, depending on your software.)

Printing a Backlit Display on a Macintosh

1. Create the document in your word processor or other application software.
2. Choose Page Setup from the File menu. You see a dialog box like the following:

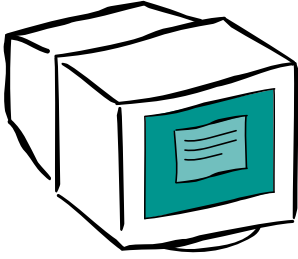


3. Choose the Paper Source you're using, either Auto Sheet Feeder (for the paper tray) or Manual Feed Slot (for the manual feeder).
4. Then select the size of your back light film in the Paper Size option. Click OK.
5. Choose Print from the File menu or click the print icon in your application. You see the printing dialog box.



6. Select Ink Jet Back Light Film as the Media Type setting. This chooses the best printer driver settings for printing on back light film and automatically turns on the Flip Horizontal feature so your image will appear correctly when viewed from the reverse side.
7. Check the rest of the printer software settings as described in Chapters 1 and 2.

If you change any printer settings, make sure that Flip Horizontal is still selected. Then click Print to print your backlit display.



4

Managing Print Jobs and Network Printing

Your printer software includes several utilities for managing print jobs. You can use them to monitor your printer's status, set up large jobs to print later, and handle network printing. If you're using your printer on a network, you need to follow the special setup procedures in this chapter.

This chapter provides instructions for the following:

- Managing print jobs with Windows 95 or 3.1
- Managing print jobs with Windows NT
- Managing print jobs on a Macintosh
- Network printing on a PC
- Network printing on a Macintosh

Managing Print Jobs With Windows 95 or 3.1

Your Windows printer software includes two management utilities: the Spool Manager and Status Monitor.

- The Spool Manager starts automatically when you send a job to the printer. It allows you to print in the background while you continue to work on your computer and to hold jobs to print at a later time. If you're using your printer on a network, it also handles multiple print jobs that come in at the same time.



Note:
The Status Monitor
doesn't appear if you're
printing over a network.

In Windows 3.1, you
may not see the Spool
Manager icon if the
Program Manager or
current window is
maximized. Make the
window smaller to see
the Spool Manager icon.

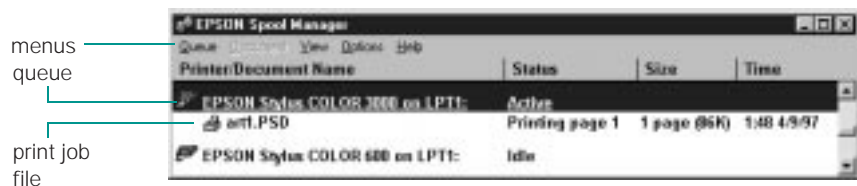
- The Status Monitor, which is available only if you're using Windows 95, also starts automatically when you send a job to the printer. It displays on your screen to alert you about printer, paper, and ink status.

Using the Spool Manager

The Spool Manager works like the Windows Print Manager. When you send a job to your printer, your printer software creates a temporary print job file, stores it in the C:\TEMP or C:\WINDOWS\TEMP folder or directory, and assigns it to a print queue. The software then sends the file to your printer at the right time.

- To open the Spool Manager while you're printing, click the Spool Manager icon that appears on the Taskbar (Windows 95) or at the bottom of your desktop (Windows 3.1).
- To open it at any time, double-click the Spool Manager4 icon in the EPSON program group or folder.

You see the Spool Manager window:



The Spool Manager window displays the status of your print queues and print jobs and lets you control them. Here are some of the things you can do:

- Hold or release a queue
- Send print jobs to your printer over a network
- Hold, re-queue, or delete a print job



For information about any of these procedures, use the Spool Manager Help utility.

- ▶ Prevent the Despooler window from appearing on your screen whenever you print (see page 1-7 for information on the Despooler window)
- ▶ Change your default spool directory

Deleting a Stalled Print Job

If you have trouble printing, it may be because of a stalled print job. Follow these steps to delete it so you can continue printing:

1. Open the Spool Manager as described on page 4-2.
2. Click on any print jobs marked Held, then open the Document menu and click Delete.
3. Click Yes.
4. Exit Spool Manager and try printing again.

Changing the Default Spool Directory

If you get an error message when you try to print, or printing is very slow, you can try changing your default spool directory. Follow these steps:

1. Make a directory on your hard disk where you want Spool Manager to store print job files, for example, C:\SPLTEMP.
2. Open the Spool Manager as described on page 4-2.
3. Choose Default Spool Directory from the Options menu.
4. In the dialog box, change the spool directory to the one you created in step 1. Then click OK.
5. Make sure EPSON Stylus COLOR 3000 is selected, and then choose Setup from the Queue menu. The Queue Setup dialog box appears.

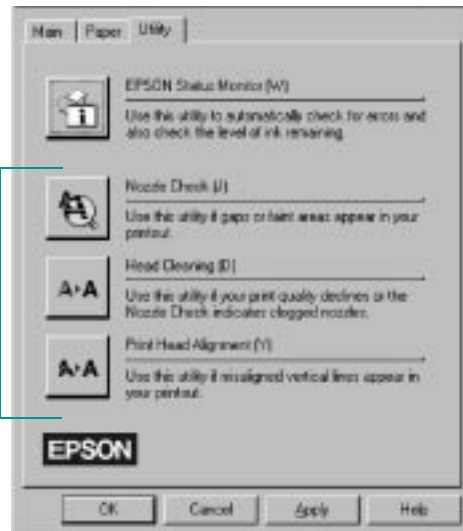
6. Make sure the spool directory is the same as in step 1. Also make sure Use Print Manager for this port is checked. (If you're using Windows 95 and don't see the Status Monitor when you print, leave it unchecked.) Click OK.
7. Close Spool Manager.

Using the Status Monitor

The Status Monitor, available only if you're using Windows 95, displays automatically in the Despooler window when you send a print job to the printer. However, you can use it at any time to see how much ink you have left. Follow these steps:

1. Access the Main printer settings dialog box as described on page 1-2 (Windows) or page 1-10 (Macintosh).
2. Click the Utility tab. You see the Utility menu:

For information about these three utilities, see Chapter 6



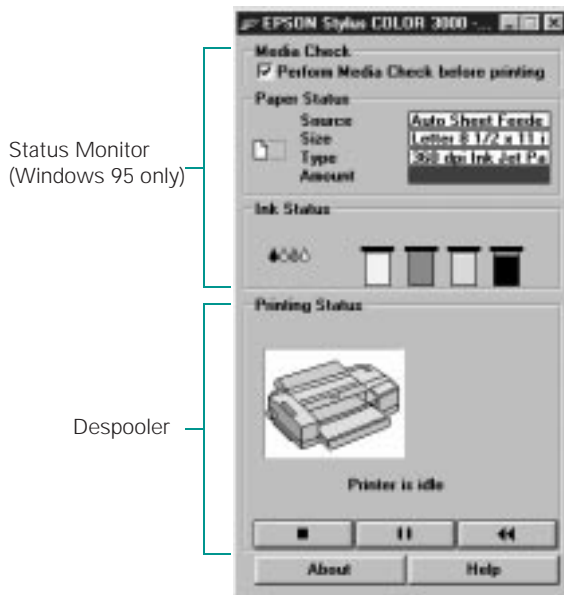


Note:

To scroll through the settings in the Paper Status box and see the full names of the listed options, click in the field you want to view and use the arrow keys to view the option name.

3. Click the EPSON Status Monitor icon.

You see the Despooler window. If you are using Windows 95, you also see the Status Monitor (Media Check, Paper Status, and Ink Status) at the top:



4. Check the amount of ink and paper you have left. For more information about the Despooler window, see page 1-7.

Managing Print Jobs With Windows NT

Windows NT 4.0 servers and workstations include a messenger service to alert you to printer errors or let you know when a print job is finished. If you have appropriate network access privileges or you're controlling printing from the server, you can also cancel, pause, or restart print jobs and set the sharing, security, scheduling, and port options. See your Windows NT documentation for details.

You can check the status of your print job in Windows NT 3.51 using the Print Manager. Options in the Print Manager window let you pause, resume, or delete print jobs and handle the print queues on your system, depending on your network access privileges. See your Windows NT 3.51 documentation for instructions.

Managing Print Jobs on a Macintosh

Your Macintosh printer software includes two utilities for managing your print jobs: EPSON Monitor2 and Status Monitor.

- ▶ If you're using background printing, EPSON Monitor2 starts automatically when you send a job to the printer. It handles printing while you continue to work on your Macintosh and lets you track documents that are waiting to be printed.
- ▶ The Status Monitor alerts you to any problems that occur during printing. You can also use it any time to see how much ink you have left.



Note:
Background printing is slower and may also slow down your system.

Using EPSON Monitor2

The EPSON Monitor2 utility lets you continue to work on your Macintosh while your document is printing. To use this utility, however, you need to turn on background printing and increase the memory allocation for EPSON Monitor2.

Follow these steps:

1. If you didn't turn on background printing when you selected your printer, open the Chooser from the Apple menu. Select the EPSON Stylus(EX) or EPSON Stylus(AT) icon. Under Background Printing, click On and close the Chooser.
2. To increase the memory allocated to Monitor2, select EPSON Monitor2 in the Extensions folder in your System folder. Then choose Get Info from the File menu and set the Memory Requirements to 2000K or 3000K, depending on your system's available RAM.
3. To use Monitor2 while you're printing, select the EPSON Monitor2 icon in the Application menu at the right end of the menu bar. You see a dialog box like the following:

Job currently printing

Jobs queued for printing appear here



You can select a job and cancel it or just use this window to track the print job's progress.

Using the Macintosh Status Monitor

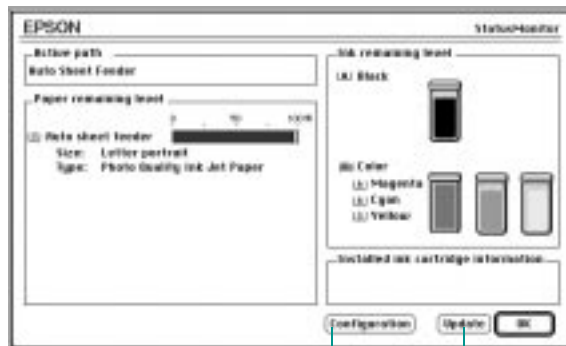
You can use the Status Monitor to check the level of ink in your printer and to control the way your software warns you about printer problems. Follow these steps:

1. Choose Print from the File menu or click the print icon in your application. You see the printer settings dialog box.
2. Click the Utility button. You see the Utility menu:

For information about these three utilities, see Chapter 6



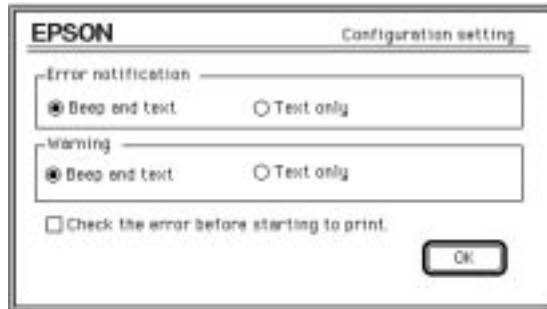
3. Click the Status Monitor icon. The software checks the amount of ink remaining and displays the Status Monitor:



Click to control messages and warnings

Click to recheck ink level

4. If you want to change printer messages and warnings, click the Configuration button. You see the following dialog box:



5. Choose the options you want and click OK.



Note:
If you need to install a network interface board in your printer, see Appendix A for instructions.

Network Printing on a PC

You can use your printer on a network under Windows NT, Windows 95, or another network operating system. First you need to set up your printer using either the network's printer setup functions or your printer software's built-in network support.

If you're setting up your printer for Windows NT, see the instructions below. For other network operating systems, see your network documentation for instructions or use the printer software's network support, as described on page 4-12.

Connecting to the Printer on Windows NT 4.0 Systems



Note:

If you connected the printer directly to a Windows NT server or you're using a different network protocol, see your Windows NT documentation for instructions on configuring your printer for the network. If you're using an optional interface card, also see the documentation that came with the card.

If you installed an optional network interface card in your printer and installed the printer software as described in the *Quick Setup* booklet, follow the steps below to connect the remote printer to each system on the network using the TCP/IP (or LPR) protocol.

1. Follow the instructions to configure the interface card in the manual that came with the card.
2. To connect the printer to a TCP/IP (or LPR) port, open the Control Panel and select Printers.
3. Right-click the EPSON Stylus COLOR 3000 icon, then select Properties.
4. Select the Ports tab and click the Add Port button.
5. Select LPR Port in the Port list. Then click New Port.
6. Type the IP address of the card in the first box and type a short name for the printer in the second box. Then click OK.
7. Click Close.
8. You see the address and name of the printer in the Port list. Click OK to exit printer properties.

Now you can print to the remote printer. Repeat these steps for each system on the network that needs to access the printer.



Note:
If you connected the printer directly to a Windows NT server or you're using a different network protocol, see your Windows NT documentation for instructions on configuring your printer for the network. If you're using an optional interface card, also see the documentation that came with the card.

If you've connected the printer to a server, be sure to install the Windows NT 3.51 drivers on all workstations that will share the printer over the network.

Connecting to the Printer on Windows NT 3.51 Systems

If you installed an optional network interface card in your printer and installed the printer software as described in the *Quick Setup* booklet, follow the steps below to connect the remote printer to each system on the network using the TCP/IP (or LPR) protocol.

1. Follow the instructions to install the LPR software and configure the interface card in the manual that came with the card.
2. To configure the printer for TCP/IP (or LPR) printing, double-click the Print Manager icon in the Main program group.
3. Select the EPSON Stylus COLOR 3000 window.
4. Choose Properties in the Printer menu.
5. Select Other in the Print to list.
6. Select LPR Port in the Available Print Monitors list and click OK.
7. Type the IP address of the card in the first box and type a short name for the printer in the second box. Then click OK.
8. Click OK again, then exit Print Manager.

Now you can print to the remote printer. Repeat these steps for each system on the network that needs to access the printer.

Using the Printer Software's Built-in Network Support

To use your printer software's built-in network support, you first need to install the printer software on all the network computers that will use the printer. See the *Quick Setup* booklet for instructions. Once the printer software is installed, you can set up Spool Manager to send print job files from each computer to a shared directory on the computer connected to the printer.

Follow the steps in the next sections to set up a print job directory on the system connected to the printer (the host system) and each remote system (client) on the network. For Windows 95, you also need to specify the port and network path to the printer, as described on page 4-13.

Setting Up the Host System

Follow these steps to set up the computer connected to the printer:

1. Create an icon for the EPSON Spool Manager (EPSPLMGR.EXE in the \WINDOWS\SYSTEM folder or directory).
2. Place this icon in the Startup folder.
3. Double-click the EPSON Spool Manager icon to open the Spool Manager window.
4. Double-click the queue you want to use for network printing. The Queue Setup dialog box appears.
5. Click the Remote Despool tab and then click the Printing from remote queues option.

6. Click the Browse button and select the remote server directory that will receive print job files.
7. Click OK and minimize the Spool Manager window.

Setting Up Remote Systems

Follow these steps to set up the client computers on the network:

1. Open the Spool Manager window as described on page 4-2.
2. In the Spool Manager window, double-click the queue you want to use for network printing. The Queue Setup dialog box appears.
3. Click the Spool to remote printer button.
4. Click the Browse button and select the directory you're using for print job files on the host system.
5. Click OK and minimize the Spool Manager window.

Setting Up Your Network Path in Windows 95

If you want to use your printer on a network running Windows 95, you need to set up the port and network path on the computer connected to the printer. Follow these steps:

1. Double-click My Computer.
2. Double-click the Printers folder.

3. Right-click the EPSON Stylus COLOR 3000 icon and choose Properties.
4. Click the Details tab. The following dialog box appears:



Note:

If you want to print from DOS applications as well as from Windows applications, click the Capture Printer Port button instead of the Add Port button. In the Device box, select the printer port your printer is connected to, then specify the network path to the printer. Make sure Reconnect at logon is selected, then click OK.

5. Click the Add Port button, then specify the network path to the printer and click OK.
6. Open the Spool Manager window as described on page 4-2.
7. In the Spool Manager window, double-click your printer's queue. The Queue Setup dialog box appears.
8. Make sure the Use Print Manager for this port option is checked. Then click OK.

Network Printing on a Macintosh

If you want to use your printer on an AppleTalk[®] network, you need to install an optional interface board: either the LocalTalk[®] board or the Ethernet[™] board. See Appendix A for more information about optional interfaces.

Then you can use the EPSON Namer utility and set up your printer in the Chooser. The EPSON Namer was installed on your hard drive along with the other printer software.

Assigning a Name to the Printer

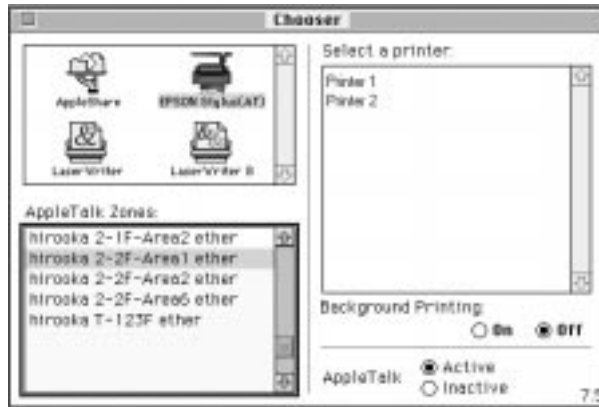
Follow these steps to use the EPSON Namer utility:

1. Double-click the EPSON Namer icon on your hard drive.
2. Click the EPSON Stylus(AT) icon in the Device Types window.
3. Select the AppleTalk zone where your printer is located.
4. Under New Name, type a name from your printer to distinguish it from other printers on the network.
5. Click Rename and then click Done.

Setting Up the Printer for AppleTalk

Make sure your printer is turned on and then follow these steps to set up your printer on an AppleTalk network:

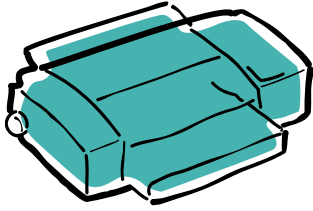
1. Open the Chooser from the Apple menu. You see a dialog box like the following:



2. Click the EPSON Stylus(AT) icon.
3. Select the AppleTalk zone you want to use. A list of all printers connected to the selected zone appears on the right.
4. Click the name you assigned to your EPSON Stylus COLOR 3000 in step 4 of the previous section. You see a prompt asking you to confirm your choice.
5. Click OK.

If your printer name doesn't appear, make sure the printer is turned on and correctly connected, then click RETRY.

6. To ensure compatibility, leave Background Printing turned off.
7. Close the Chooser.



5

Using Your Printer with DOS

If you print with DOS application programs, you can use your printer with them by following the instructions in this chapter. It covers these operations:

- ▶ Selecting printer software for DOS
- ▶ Changing printer settings with default-setting mode
- ▶ Performing printer maintenance procedures, such as aligning the print heads
- ▶ Selecting character tables
- ▶ Using printer commands



Note:
If you are using AutoCAD 386 release 10 or higher, you need to use the Autodesk Device Interface (ADI) plotter driver. See the README file on the driver diskette for more information.

Selecting Printer Software for DOS

You select software (a printer driver) for your printer in each DOS program you use. Most DOS programs include drivers for EPSON ESC/P 2™ printers. You need to select the correct printer driver to take advantage of your printer's advanced built-in scalable fonts and graphics handling.

Most DOS programs require you to select from a list of available printer drivers. If EPSON Stylus COLOR 3000 is not included in the list, you can contact your software manufacturer to obtain an updated driver.

If an updated driver is not available, pick the first printer available in the lists on the next page.



Note:
The drivers for the printers listed do not provide all EPSON Stylus COLOR 3000 features, such as 1440-dpi printing, 720-dpi printing, and MicroWeave.

When printing black and color, select:

EPSON Stylus 1500
EPSON Stylus COLOR 1520
EPSON Stylus Pro
EPSON Stylus Pro XL
EPSON Stylus COLOR 500
EPSON Stylus COLOR II
LQ-2550
LQ-1060

When printing black only, select:

LQ-870
LQ-1170
LQ-570+
LQ-1070+
SQ-870
SQ-1070
LQ-850
LQ-500

Once you've selected a printer driver for each DOS program you use, you can begin printing. Be sure to check the paper source and other printer driver settings before printing.

If you want to adjust any of the printer's internal settings, you can use default-setting mode as described in the next section.

To perform routine printer maintenance procedures, see page 5-7 for instructions.

Changing Printer Settings With Default-Setting Mode

Your printer includes internal default settings that are active whenever you turn on the printer. These settings control functions such as the print direction and paper loading positions.

Because they are preset to the most likely settings you'll want to use, you probably won't need to change them. However, you may want to change settings such as these for special projects:

- Turn on auto tear-off mode when you print on continuous paper or roll paper (but **not** when printing continuous **label** paper)
- Turn on banner mode when you print on roll paper
- Select a slashed zero (Ø) instead of a regular zero (0) when you print documents where the zero can easily be confused with a capital "O"

You can check or change the default settings using the printer's control panel. Follow the steps in the next section.



Note:

The printer's control panel buttons perform different functions while the printer is in default-setting mode. Be sure to carefully follow the instructions your printer prints and don't try to perform standard control panel functions until you've exited default-setting mode.




Entering Default-Setting Mode









To enter default-setting mode and print an instruction sheet in one of six languages, follow these steps:

1. Load four or more sheets of paper at least 8.3 inches (210 mm) wide into the paper tray. See page 3-7 for loading instructions.
2. Turn off the printer.

3. While holding down the Media Type button, press the Operate button to turn on the printer to enter default-setting mode. Hold down both buttons for three seconds, then release them.

The printer loads a sheet of paper and prints an instruction sheet telling you how to select a language (the default setting is English).

4. If you want to print the default-setting instructions in another language, press the Micro Adjust  button until the Ink Out  Yellow and Ink Out  Magenta lights on your control panel indicate the language you want to use.

Language	Lights
English	Both lights off
French	Ink Out  Yellow on and Ink Out  Magenta off
German	Ink Out  Yellow flashing and Ink Out  Magenta off
Italian	Ink Out  Yellow off and Ink Out  Magenta on
Spanish	Both lights on
Portuguese	Ink Out  Yellow flashing and Ink Out  Magenta on

5. Press the Pause button. The printer prints instructions on changing the default settings.
6. Follow the instructions on the sheet to change the necessary settings, as listed in the next section. Your changes remain in effect until you change them again. (To exit without changing any settings, press the Pause button.)
7. When you're finished changing settings, press Load/Eject if you need to eject any loaded paper. Then turn off the printer to exit default-setting mode.
8. Wait five seconds, then turn on your printer to resume printing.

List of Default-Setting Options

The table below lists all the options available for each default setting. The factory defaults are listed in **bold** type in the table below. The printer's current settings are marked with a ← on your printed instruction sheet.

Setting	Options	Description
Print direction	Auto , Bi-D, Uni-D	Auto switches between bidirectional printing for text data (the print head prints in both directions) and unidirectional printing for graphics data. For the fastest printing of text only, select Bi-D; but if vertical lines become misaligned, you'll need to turn it off or align the print heads (see page 5-7 for instructions). For the most accurate alignment when printing graphics, select Uni-D.
Font	Courier , Roman, Sans Serif, Prestige, Script, Roman T, Sans Serif H, Draft	If your software doesn't let you select fonts, you can select one of these bitmap or scalable fonts. See Appendix C for a list of the point size and characters per inch available with each font.
Pitch	10 , 12, 15, 17.1, or 20 cpi, or Proportional	If your software doesn't let you select point size or characters per inch for your fonts, you can select one of these. See Appendix C for a list of the point size and characters per inch available with each font.
I/F (interface) mode	Auto , Parallel, Serial, Option	When your printer is connected to multiple interfaces, Auto sets the printer to receive data from any interface sending a print job. Select Parallel, Serial, or Option only if you want your printer to ignore print jobs sent from other interface types.
Auto I/F (interface) wait time	10 or 30 seconds	If you choose Auto for the I/F mode setting, selects the time the printer waits for a print job from one interface before accepting a print job from another interface.
Software (emulation mode)	ESC/P 2 , IBM XL24E	Specifies the control mode you want the printer to use. For the best font and graphics control, always use ESC/P 2 mode. If you need to emulate an IBM® Proprinter, [™] select IBM XL24E mode. For a list of the commands for these modes, see page 5-17.

Using Your Printer with DOS

Setting	Options	Description
Auto CR (IBM XL24E mode only)	Off , On	In IBM XL24E mode, lets you select whether the printer performs a carriage-return line-feed operation when it reaches the right margin (On) or only when it receives a carriage-return code in the print job (Off).
AGM (IBM XL24E mode only)	Off , On	In IBM XL24E mode, turns high resolution, 24-pin graphics command mode on or off.
Character table	—	See the samples beginning on page 5-8. The default character table is PC437 .
International character set for Italic table	—	See the samples beginning on page 5-8. The default character set is Italic U.S.A.
Auto line feed	Off , On	Sets the printer to either perform a line-feed operation every time it receives a carriage-return command (On) or not to perform one (Off).
Network I/F (interface) mode	Off , On	Sets whether the printer is (On) or is not (Off) shared by more than one computer.
0 slash	0 , \emptyset	Selects either a slashed zero (\emptyset) or a regular zero (0) to be printed when a zero command is received.
Page length for continuous paper	11 , 12, 8.5, or 70/6 inches or Other	When printing on continuous paper, select the length of the individual sheets. 70/6 is the length of A4-size paper.
Skip over perforation	Off , On	If your software doesn't let you set top and bottom margins, turn this setting On to add a one-inch margin over the perforation to separate text on continuous pages.
Auto tear off	Off , On	When printing on continuous paper or banner paper, turn this setting On to advance the perforation or end of the sheet to the printer's tear-off edge. It also backs the paper up to the top-of-form position when it receives the next print job. Turn this setting Off when printing on continuous labels so they don't tear off inside the printer.

Setting	Options	Description
Banner mode	Off , On	When you turn this mode On, banner paper is treated as continuous paper, even with the paper-release lever in the single sheet position. This prevents the printer from advancing too much of the banner paper forward when you press the LF/FF button.
Parallel I/F (interface) transfer rate	Fast , Normal	Sets the transfer rate for printing across the parallel port. Always select Fast unless you receive transfer rate errors.

Maintaining the Printer



If vertical lines are misaligned, first make sure you did not set the Print direction setting to Bi-D (bidirectional) in default-setting mode. This may be causing the problem instead of misaligned print heads. See page 5-3 for instructions on checking your default settings.

When you're printing from DOS applications, you can perform most printer maintenance operations as they're described in Chapter 6, such as replacing the ink cartridges and cleaning the print heads from the control panel.

However, you'll need to follow the steps in this section if you need to align the print heads to correct misaligned vertical lines. You can align them with a DOS utility or by using control panel commands.

Aligning the Print Heads With a DOS Utility

Before you can align the print heads, you need to install the DOS alignment utility. Follow these steps:

1. Make sure your computer and printer are turned on.
2. Load several sheets of paper at least 8.3 inches (210 mm) wide in the paper tray. Make sure the edge guides are positioned correctly for your paper size and the paper-release lever is set to the single sheet position. (See page 3-7 for instructions.)



Note:
You can use a mouse with the utility if you have a DOS mouse driver installed.

3. Insert the EPSON printer software CD-ROM or diskette into a drive.
4. At the DOS prompt, type `D:\SETUP` (where D is the drive letter of your drive) and press Enter.
5. You see an installation instruction screen. Follow the instructions on the screen to install the utility on your computer's hard disk drive.
6. Once the utility is installed, log onto the directory you specified for the utility. Then type `EPCALIB` and press Enter to start the program.
7. You see the EPSON Print Head Alignment Utility main screen. Make sure your printer is listed on the screen and select Next.
8. Follow the instructions on the utility screens to align your print heads.



Note:
Some tables contain the same characters for hex codes 00 to 7F as the PC437 table, so these samples list only characters for codes 80 to FF.

Selecting Character Tables

Most of the time you can select character tables using your application software. If you can't select them with your software, follow the instructions here to select one of the printer's internal character tables.

You can select a character table using default-setting mode (as described on page 5-3) or printer software commands (as described on page 5-17). Each character table is identified by the code shown beneath the sample, beginning on the next page.

CODE	0	1	2	3	4	5	6	7	8	9	A	B	C	D	E	F
0	ML															
1																
2		OC2														
3																
4		OC4														
5		S														
6																
7																
8																
9	HT	DN														
A	LF															
B	VT	ESC														
C	FF															
D	CR															
E	SO															
F	SI															

PC437 (U.S., Standard Europe)

CODE	8	9	A	B	C	D	E	F
0	A	P	1		L	±	ω	ϒ
1	B	Σ	κ		⊥	⊥	ó	±
2	Γ	T	λ		⊥	⊥	é	±
3	Δ	Y	μ		⊥	⊥	ñ	±
4	E	Φ	ν		⊥	⊥	ι	±
5	Z	X	ξ		⊥	⊥	í	±
6	H	Ψ	ο		⊥	⊥	ó	±
7	Θ	Ω	π		⊥	⊥	ú	±
8	I	α	ρ		⊥	⊥	ó	±
9	K	β	σ		⊥	⊥	ω	±
A	L	γ	τ		⊥	⊥	Α	±
B	M	δ	υ		⊥	⊥	Ε	±
C	N	ε	φ		⊥	⊥	Η	±
D	O	ζ	χ		⊥	⊥	Ι	±
E	Π	η	ψ		⊥	⊥	Θ	±
F		θ			⊥	⊥	Υ	±

PC437 Greek (Greek)

CODE	8	9	A	B	C	D	E	F
0	Ç	È	á		L	Ø	Ö	-
1	ù	æ	í		⊥	Ð	ß	±
2	é	œ	ó		⊥	È	Ö	±
3	ä	ö	ù		⊥	È	Ö	±
4	ä	ö	ñ		⊥	È	Ö	±
5	à	ò	ñ		⊥	È	Ö	±
6	á	ó	ñ		⊥	È	Ö	±
7	ç	ù	Ω		⊥	È	Ö	±
8	è	ý	Ω		⊥	È	Ö	±
9	é	ÿ	Ω		⊥	È	Ö	±
A	è	ÿ	Ω		⊥	È	Ö	±
B	ì	ø	±		⊥	È	Ö	±
C	ì	ø	±		⊥	È	Ö	±
D	ì	ø	±		⊥	È	Ö	±
E	ì	ø	±		⊥	È	Ö	±
F	ì	ø	±		⊥	È	Ö	±

PC850 (Multilingual)

CODE	8	9	A	B	C	D	E	F
0	Ç	È	á		L		Ö	-
1	Ü	È	í		⊥		ß	±
2	é	È	ó		⊥		Ö	±
3	ä	È	ù		⊥		Ö	±
4	ä	È	ñ		⊥		Ö	±
5	à	È	ñ		⊥		Ö	±
6	á	È	ñ		⊥		Ö	±
7	ç	ù	Ω		⊥		Ö	±
8	è	ÿ	Ω		⊥		Ö	±
9	é	ÿ	Ω		⊥		Ö	±
A	è	ÿ	Ω		⊥		Ö	±
B	ì	ø	±		⊥		Ö	±
C	ì	ø	±		⊥		Ö	±
D	ì	ø	±		⊥		Ö	±
E	ì	ø	±		⊥		Ö	±
F	ì	ø	±		⊥		Ö	±

PC853 (Turkish)

CODE	8	9	A	B	C	D	E	F
0	ђ	џ	а	ѝ	л	я	-	
1	џ	џ	А	ѝ	Л	Я	ы	
2	ѓ	њ	Б	ѝ	М	Р	ы	
3	ѓ	њ	Б	ѝ	М	Р	ы	
4	ѓ	њ	Ц	ѝ	Н	С	э	
5	ѐ	џ	Ц	ѝ	Н	С	ш	
6	ѐ	џ	Д	ѝ	О	Т	ш	
7	ѐ	џ	Д	ѝ	О	Т	э	
8	ѐ	џ	Е	ѝ	П	У	э	
9	ѐ	џ	Е	ѝ	П	У	џ	
A	ѐ	џ	Ф	ѝ	Р	Ж	џ	
B	ѐ	џ	Ф	ѝ	Р	Ж	џ	
C	ѐ	џ	Г	ѝ	П	В	џ	
D	ѐ	џ	Г	ѝ	П	В	џ	
E	ѐ	џ	ѐ	ѝ	П	џ	џ	
F	ѐ	џ	ѐ	ѝ	П	џ	џ	

PC855 (Cyrillic)

CODE	8	9	A	B	C	D	E	F
0	ç	è	á	ѝ	л	д	ó	-
1	ç	è	á	ѝ	л	д	ó	-
2	ç	è	á	ѝ	л	д	ó	-
3	ç	è	á	ѝ	л	д	ó	-
4	ç	è	á	ѝ	л	д	ó	-
5	ç	è	á	ѝ	л	д	ó	-
6	ç	è	á	ѝ	л	д	ó	-
7	ç	è	á	ѝ	л	д	ó	-
8	ç	è	á	ѝ	л	д	ó	-
9	ç	è	á	ѝ	л	д	ó	-
A	ç	è	á	ѝ	л	д	ó	-
B	ç	è	á	ѝ	л	д	ó	-
C	ç	è	á	ѝ	л	д	ó	-
D	ç	è	á	ѝ	л	д	ó	-
E	ç	è	á	ѝ	л	д	ó	-
F	ç	è	á	ѝ	л	д	ó	-

PC852 (East Europe)

CODE	8	9	A	B	C	D	E	F
0	ç	è	á	ѝ	л	о	ó	-
1	ç	è	á	ѝ	л	о	ó	-
2	ç	è	á	ѝ	л	о	ó	-
3	ç	è	á	ѝ	л	о	ó	-
4	ç	è	á	ѝ	л	о	ó	-
5	ç	è	á	ѝ	л	о	ó	-
6	ç	è	á	ѝ	л	о	ó	-
7	ç	è	á	ѝ	л	о	ó	-
8	ç	è	á	ѝ	л	о	ó	-
9	ç	è	á	ѝ	л	о	ó	-
A	ç	è	á	ѝ	л	о	ó	-
B	ç	è	á	ѝ	л	о	ó	-
C	ç	è	á	ѝ	л	о	ó	-
D	ç	è	á	ѝ	л	о	ó	-
E	ç	è	á	ѝ	л	о	ó	-
F	ç	è	á	ѝ	л	о	ó	-

PC857 (Turkish)

CODE	8	9	A	B	C	D	E	F
0	ç	è	á	ѝ	л	л	о	-
1	ç	è	á	ѝ	л	л	о	-
2	ç	è	á	ѝ	л	л	о	-
3	ç	è	á	ѝ	л	л	о	-
4	ç	è	á	ѝ	л	л	о	-
5	ç	è	á	ѝ	л	л	о	-
6	ç	è	á	ѝ	л	л	о	-
7	ç	è	á	ѝ	л	л	о	-
8	ç	è	á	ѝ	л	л	о	-
9	ç	è	á	ѝ	л	л	о	-
A	ç	è	á	ѝ	л	л	о	-
B	ç	è	á	ѝ	л	л	о	-
C	ç	è	á	ѝ	л	л	о	-
D	ç	è	á	ѝ	л	л	о	-
E	ç	è	á	ѝ	л	л	о	-
F	ç	è	á	ѝ	л	л	о	-

PC860 (Portuguese)

CODE	B	9	A	B	C	D	E	F
0	Ç	È	Á	À	É	Ê	Ë	±
1	Ù	Ê	Ó	Ë	Ì	Í	Î	±
2	Ê	Ë	Ô	Ë	Ì	Í	Î	±
3	Á	È	Û	Ë	Ì	Í	Î	±
4	À	È	Ü	Ë	Ì	Í	Î	±
5	À	È	Û	Ë	Ì	Í	Î	±
6	À	È	Ü	Ë	Ì	Í	Î	±
7	Ç	È	Û	Ë	Ì	Í	Î	±
8	È	È	Û	Ë	Ì	Í	Î	±
9	È	È	Û	Ë	Ì	Í	Î	±
A	È	È	Û	Ë	Ì	Í	Î	±
B	È	È	Û	Ë	Ì	Í	Î	±
C	È	È	Û	Ë	Ì	Í	Î	±
D	È	È	Û	Ë	Ì	Í	Î	±
E	È	È	Û	Ë	Ì	Í	Î	±
F	È	È	Û	Ë	Ì	Í	Î	±

PC863 (Canadian-French)

CODE	B	9	A	B	C	D	E	F
0	Ç	È	Á	À	É	Ê	Ë	±
1	Ù	Ê	Ó	Ë	Ì	Í	Î	±
2	Ê	Ë	Ô	Ë	Ì	Í	Î	±
3	Á	È	Û	Ë	Ì	Í	Î	±
4	À	È	Ü	Ë	Ì	Í	Î	±
5	À	È	Û	Ë	Ì	Í	Î	±
6	À	È	Ü	Ë	Ì	Í	Î	±
7	Ç	È	Û	Ë	Ì	Í	Î	±
8	È	È	Û	Ë	Ì	Í	Î	±
9	È	È	Û	Ë	Ì	Í	Î	±
A	È	È	Û	Ë	Ì	Í	Î	±
B	È	È	Û	Ë	Ì	Í	Î	±
C	È	È	Û	Ë	Ì	Í	Î	±
D	È	È	Û	Ë	Ì	Í	Î	±
E	È	È	Û	Ë	Ì	Í	Î	±
F	È	È	Û	Ë	Ì	Í	Î	±

PC865 (Norwegian)

CODE	B	9	A	B	C	D	E	F
0	А	Р	а	б	в	г	д	е
1	Б	С	б	в	г	д	е	с
2	В	Т	в	г	д	е	с	т
3	Г	У	г	д	е	с	т	у
4	Д	Ф	д	е	с	т	у	ф
5	Е	Х	е	с	т	у	ф	х
6	Ж	Ц	ж	с	т	у	ф	ц
7	З	Ч	з	с	т	у	ф	ч
8	И	Ш	и	с	т	у	ф	ш
9	Я	Щ	я	с	т	у	ф	щ
A	К	Ъ	к	л	м	н	о	п
B	Л	Ы	л	м	н	о	п	ы
C	М	Ь	м	н	о	п	ы	ь
D	Н	Э	н	о	п	ы	ь	э
E	О	Ю	о	п	ы	ь	э	ю
F	П	Я	п	ы	ь	э	ю	я

PC866 (Russian)

CODE	B	9	A	B	C	D	E	F
0	Ç	È	Á	À	É	Ê	Ë	±
1	Ù	Ê	Ó	Ë	Ì	Í	Î	±
2	Ê	Ë	Ô	Ë	Ì	Í	Î	±
3	Á	È	Û	Ë	Ì	Í	Î	±
4	À	È	Ü	Ë	Ì	Í	Î	±
5	À	È	Û	Ë	Ì	Í	Î	±
6	À	È	Ü	Ë	Ì	Í	Î	±
7	Ç	È	Û	Ë	Ì	Í	Î	±
8	È	È	Û	Ë	Ì	Í	Î	±
9	È	È	Û	Ë	Ì	Í	Î	±
A	È	È	Û	Ë	Ì	Í	Î	±
B	È	È	Û	Ë	Ì	Í	Î	±
C	È	È	Û	Ë	Ì	Í	Î	±
D	È	È	Û	Ë	Ì	Í	Î	±
E	È	È	Û	Ë	Ì	Í	Î	±
F	È	È	Û	Ë	Ì	Í	Î	±

PC861 (Icelandic)

Using Your Printer with DOS

CODE	8	9	A	B	C	D	E	F
0		Ι	Υ	⋮	Λ	Τ	Ζ	-
1		Υ	Υ	⋮	⊥	Υ	η	±
2		Ο	Ο	⋮	⊥	Θ	θ	υ
3			Α	⋮	⊥	Χ	φ	φ
4			Β	⋮	⊥	Ψ	κ	χ
5		Υ	Β	⋮	⊥	Ω	λ	ξ
6	λ	Υ	Γ	⋮	⊥	α	μ	ψ
7		φ	Δ	⋮	⊥	β	ν	*
8		Ω	Ε	⋮	⊥	γ	ε	·
9		·	Ζ	⋮	⊥	δ	ο	ω
A		·	Η	⋮	⊥	ε	π	ο
B		·	Θ	⋮	⊥	·	ρ	σ
C		·	·	⋮	⊥	·	σ	τ
D		·	·	⋮	⊥	·	·	·
E		·	·	⋮	⊥	·	·	·
F		·	·	⋮	⊥	·	·	·

PC869 (Greek)

CODE	8	9	A	B	C	D	E	F
0		NUL		*	À	Ð	á	ð
1				±	Á	Ñ	â	ñ
2		DC2	ç	²	Â	Ò	ã	ó
3			¸	'	Ã	Ó	ä	ô
4		DC4	¸	'	Ä	Ô	å	õ
5			¸	'	Å	Õ	æ	ö
6			¸	'	Æ	Ö	ç	ö
7			¸	'	·	·	·	·
8			¸	'	·	·	·	·
9	HT	EM	·	'	·	·	·	·
A	LF		·	'	·	·	·	·
B	VT	ESC	·	'	·	·	·	·
C	FF		·	'	·	·	·	·
D	CR		·	'	·	·	·	·
E	SO		·	'	·	·	·	·
F	SI		·	'	·	·	·	·

BRASCI (Brazilian, Portuguese)

CODE	8	9	A	B	C	D	E	F
0		NUL		Ô	·	ò		
1			À	Ó	·	ó		
2		DC2	À	Ô	·	ô		
3			Á	Õ	·	õ		
4		DC4	Á	Ö	·	ö		
5			Â	·	·	·		
6			Ç	·	·	·		
7			È	·	·	·		
8			É	·	·	·		
9	HT	EM	È	·	·	·		
A	LF		É	·	·	·		
B	VT	ESC	·	·	·	·		
C	FF		·	·	·	·		
D	CR		·	·	·	·		
E	SO		·	·	·	·		
F	SI		·	·	·	·		DEL

Abicomp (Brazilian, Portuguese)

HexCode	0	1	2	3	4	5	6	7	8	9	A	B	C	D	E	F
0					@	P	'	p			À	Á	Â	Ã	Ä	Å
1		!	1	1	A	Q	a	q			·	·	·	·	·	·
2		"	2	2	B	R	b	r			·	·	·	·	·	·
3		#	3	3	C	S	c	s			·	·	·	·	·	·
4		\$	4	4	D	T	d	t			·	·	·	·	·	·
5		%	5	5	E	U	e	u			·	·	·	·	·	·
6		&	6	6	F	V	f	v			·	·	·	·	·	·
7		'	7	7	G	W	g	w			·	·	·	·	·	·
8		(8	8	H	X	h	x			·	·	·	·	·	·
9)	9	9	I	Y	i	y			·	·	·	·	·	·
A		*	*	*	J	Z	j	z			·	·	·	·	·	·
B		+	+	+	K	[k	[·	·	·	·	·	·
C		,	,	,	L	\	l	\			·	·	·	·	·	·
D		-	-	-	M]	m]			·	·	·	·	·	·
E		.	.	.	N	^	n	^			·	·	·	·	·	·
F		/	/	/	O	_	o	_			·	·	·	·	·	·

Roman 8

CODE	8	9	A	B	C	D	E	F
0			"	λ	Ð	à	ø	
1		ı	±	À	Ñ	á	ñ	
2		ç	ı	Á	Ò	â	ò	
3		ê	ı	Â	Ó	ã	ó	
4		ë	ı	Ã	Ô	ä	ô	
5		ı	ı	Ä	Õ	å	ö	
6		ı	ı	Å	Ö	æ	ø	
7		ı	ı	Æ	×	ç	÷	
8		ı	ı	Ç	Ø	ç	ø	
9		ı	ı	È	Ù	è	ù	
A		ı	ı	É	Ú	é	ú	
B		ı	ı	Ê	Û	ê	û	
C		ı	ı	Ë	Ü	ë	ü	
D		ı	ı	Ì	Ý	ì	ý	
E		ı	ı	Í	Þ	í	þ	
F		ı	ı	Î	ß	î	ÿ	

ISO Latin 1

CODE	8	9	A	B	C	D	E	F
0	Ç	È	É	Ê	Ë	Ì	Í	Î
1	Û	Ü	Ý	Þ	ß	à	á	â
2	ë	ì	ó	ô	õ	ö	÷	ø
3	ä	å	ö	ñ	ı	ı	ı	ı
4	ä	å	ö	ñ	ı	ı	ı	ı
5	ä	å	ö	ñ	ı	ı	ı	ı
6	ä	å	ö	ñ	ı	ı	ı	ı
7	ä	å	ö	ñ	ı	ı	ı	ı
8	ä	å	ö	ñ	ı	ı	ı	ı
9	ä	å	ö	ñ	ı	ı	ı	ı
A	ä	å	ö	ñ	ı	ı	ı	ı
B	ä	å	ö	ñ	ı	ı	ı	ı
C	ä	å	ö	ñ	ı	ı	ı	ı
D	ä	å	ö	ñ	ı	ı	ı	ı
E	ä	å	ö	ñ	ı	ı	ı	ı
F	ä	å	ö	ñ	ı	ı	ı	ı

MAZOWIA (Poland)

CODE	8	9	A	B	C	D	E	F
0	Ç	È	É	Ê	Ë	Ì	Í	Î
1	Û	Ü	Ý	Þ	ß	à	á	â
2	ë	ì	ó	ô	õ	ö	÷	ø
3	ä	å	ö	ñ	ı	ı	ı	ı
4	ä	å	ö	ñ	ı	ı	ı	ı
5	ä	å	ö	ñ	ı	ı	ı	ı
6	ä	å	ö	ñ	ı	ı	ı	ı
7	ä	å	ö	ñ	ı	ı	ı	ı
8	ä	å	ö	ñ	ı	ı	ı	ı
9	ä	å	ö	ñ	ı	ı	ı	ı
A	ä	å	ö	ñ	ı	ı	ı	ı
B	ä	å	ö	ñ	ı	ı	ı	ı
C	ä	å	ö	ñ	ı	ı	ı	ı
D	ä	å	ö	ñ	ı	ı	ı	ı
E	ä	å	ö	ñ	ı	ı	ı	ı
F	ä	å	ö	ñ	ı	ı	ı	ı

Code MJK (CSFR)

CODE	8	9	A	B	C	D	E	F
0			"	λ	Ð	à	ø	
1		ı	±	À	Ñ	á	ñ	
2		ç	ı	Á	Ò	â	ò	
3		ê	ı	Â	Ó	ã	ó	
4		ë	ı	Ã	Ô	ä	ô	
5		ı	ı	Ä	Õ	å	ö	
6		ı	ı	Å	Ö	æ	ø	
7		ı	ı	Æ	×	ç	÷	
8		ı	ı	Ç	Ø	ç	ø	
9		ı	ı	È	Ù	è	ù	
A		ı	ı	É	Ú	é	ú	
B		ı	ı	Ê	Û	ê	û	
C		ı	ı	Ë	Ü	ë	ü	
D		ı	ı	Ì	Ý	ì	ý	
E		ı	ı	Í	Þ	í	þ	
F		ı	ı	Î	ß	î	ÿ	

ISO 8859-7 (Latin/Greek)

CODE	8	9	A	B	C	D	E	F
0				*	À	Á	Â	Ë
1			ı	±	Ä	Å	Ä	Ë
2			ç	²	À	Á	Â	Ë
3			ƒ	'	À	Á	Â	Ë
4			ı	ı	À	Á	Â	Ë
5			ı	ı	À	Á	Â	Ë
6			ı	ı	À	Á	Â	Ë
7			ı	ı	À	Á	Â	Ë
8			ı	ı	À	Á	Â	Ë
9			ı	ı	À	Á	Â	Ë
A			ı	ı	À	Á	Â	Ë
B			ı	ı	À	Á	Â	Ë
C			ı	ı	À	Á	Â	Ë
D			ı	ı	À	Á	Â	Ë
E			ı	ı	À	Á	Â	Ë
F			ı	ı	À	Á	Â	Ë

ISO Latin 1T (Turkish)

CODE	8	9	A	B	C	D	E	F
0	А	Р	а	р	Л	л	а	±
1	В	С	б	с	Т	т	β	±
2	Г	Т	г	т	У	у	Г	±
3	Д	У	д	у	Ф	ф	π	±
4	Е	Ф	е	ф	Х	х	Σ	±
5	Ж	Ц	ж	ц	Ч	ч	σ	±
6	З	Ч	з	ч	Ш	ш	μ	±
7	И	Щ	и	щ	Щ	щ	φ	±
8	Я	Щ	я	щ	Я	я	θ	±
9	А	Б	а	б	В	в	Ω	±
A	В	Г	а	б	Д	д	δ	±
B	Д	Е	а	б	Ж	ж	σ	±
C	Е	Ж	а	б	З	з	φ	±
D	Ж	З	а	б	И	и	θ	±
E	З	И	а	б	Я	я	Ω	±
F	И	Я	а	б	А	а	δ	±

Bulgaria (Bulgaria)

CODE	8	9	A	B	C	D	E	F
0	Ç	É	Á	À	Л	а	α	±
1	Ü	Æ	Í	Ï	Т	ç	β	±
2	É	Æ	Ó	Ô	Т	ç	Γ	±
3	À	Ò	Ù	Ú	Т	ç	π	±
4	À	Ò	Ù	Ú	Т	ç	σ	±
5	À	Ò	Ù	Ú	Т	ç	Σ	±
6	À	Ò	Ù	Ú	Т	ç	μ	±
7	Ç	É	Á	À	Л	а	ν	±
8	Ü	Æ	Í	Ï	Т	ç	φ	±
9	É	Æ	Ó	Ô	Т	ç	θ	±
A	À	Ò	Ù	Ú	Т	ç	Ω	±
B	À	Ò	Ù	Ú	Т	ç	δ	±
C	À	Ò	Ù	Ú	Т	ç	σ	±
D	À	Ò	Ù	Ú	Т	ç	φ	±
E	À	Ò	Ù	Ú	Т	ç	θ	±
F	À	Ò	Ù	Ú	Т	ç	Ω	±

PC774 (LST 1283:1993)

CODE	8	9	A	B	C	D	E	F
0	Ç	É	Á	À	Л	а	α	±
1	Ü	Æ	Í	Ï	Т	ç	β	±
2	É	Æ	Ó	Ô	Т	ç	Γ	±
3	À	Ò	Ù	Ú	Т	ç	π	±
4	À	Ò	Ù	Ú	Т	ç	σ	±
5	À	Ò	Ù	Ú	Т	ç	Σ	±
6	À	Ò	Ù	Ú	Т	ç	μ	±
7	Ç	É	Á	À	Л	а	ν	±
8	Ü	Æ	Í	Ï	Т	ç	φ	±
9	É	Æ	Ó	Ô	Т	ç	θ	±
A	À	Ò	Ù	Ú	Т	ç	Ω	±
B	À	Ò	Ù	Ú	Т	ç	δ	±
C	À	Ò	Ù	Ú	Т	ç	σ	±
D	À	Ò	Ù	Ú	Т	ç	φ	±
E	À	Ò	Ù	Ú	Т	ç	θ	±
F	À	Ò	Ù	Ú	Т	ç	Ω	±

Estonia (Estonia)

CODE	8	9	A	B	C	D	E	F
0								
1			À	Á	Â	Ã	Ä	Å
2			Ä	Å	Æ	Ç	È	É
3			È	É	Ê	Ë	Ì	Í
4			Ì	Í	Î	Ï	Ð	Ñ
5			Ñ	Ò	Ó	Ô	Õ	Ö
6			Ö	×	Ø	Ù	Ú	Û
7			Û	Ü	Ý	Þ	ß	à
8			à	á	â	ã	ä	å
9			å	æ	ç	è	é	ê
A			ê	ë	ì	í	î	ï
B			ï	ð	ñ	ò	ó	ô
C			ô	õ	ö	÷	ø	ù
D			ù	ú	û	ü	ý	þ
E			þ	ß	à	á	â	ã
F			ã	ä	å	æ	ç	è

ISO 8859-2

CODE	8	9	A	B	C	D	E	F
0	À	Á	Â	Ã	Ä	Å	Æ	Ç
1	Ä	Å	Æ	Ç	È	É	Ê	Ë
2	È	É	Ê	Ë	Ì	Í	Î	Ï
3	Ì	Í	Î	Ï	Ð	Ñ	Ò	Ó
4	Ñ	Ò	Ó	Ô	Õ	Ö	×	Ø
5	Ø	Ù	Ú	Û	Ü	Ý	Þ	ß
6	ß	à	á	â	ã	ä	å	æ
7	æ	ç	è	é	ê	ë	ì	í
8	è	é	ê	ë	ì	í	î	ï
9	ì	í	î	ï	ð	ñ	ò	ó
A	ò	ó	ô	õ	ö	÷	ø	ù
B	ù	ú	û	ü	ý	þ	ß	à
C	à	á	â	ã	ä	å	æ	ç
D	ä	å	æ	ç	è	é	ê	ë
E	è	é	ê	ë	ì	í	î	ï
F	ì	í	î	ï	ð	ñ	ò	ó

PC866 LAT (Latvian)

CODE	8	9	A	B	C	D	E	F
0	NUL			0	@	P		p
1			!	1	A	Q		q
2		DC2	"	2	B	R		r
3			#	3	C	S		s
4		DC4	\$	4	D	T		t
5			%	5	E	U		u
6			&	6	F	V		v
7			'	7	G	W		w
8			(8	H	X		x
9	HT	EM)	9	I	Y		y
A	LF		*	:	J	Z		z
B	VT	ESC	+	;	K	[{
C	FF		,	<	L	\		
D	CR		-	=	M]		}
E	SO		.	>	N	^		~
F	SI		/	?	O	_		o

Italic

No characters are available for hex code 15 in the italic character table.

International Character Sets

You can select one of these international character sets using default-setting mode (as described on page 5-3) or the ESC R command (as described on page 5-17). When you select a character set, such as Italic France, the characters in the France row on the table below are used in the italic character table.

You can select one of these eight international character sets using default-setting mode or ESC R.

Country	ASCII code hex											
	23	24	40	5B	5C	5D	5E	60	7B	7C	7D	7E
USA	#	\$	@	[\]	^	'	{		}	-
France	#	\$	à	°	ç	§	^	'	é	ù	è	¨
Germany	#	\$	§	À	Ö	Ü	^	'	ä	ö	ü	ß
UK	£	\$	@	[\]	^	'	{		}	-
Denmark	#	\$	@	Æ	Ø	Å	^	'	æ	ø	å	-
Sweden	#	¤	É	À	Ö	Å	Ü	é	ä	ö	å	ü
Italy	#	\$	@	°	\	é	^	ù	à	ò	è	ì
Spain	¤	\$	@	í	Ñ	¿	^	'	ñ	õ	ü	-

You can select one of these seven sets using ESC R only.

Country	ASCII code hex											
	23	24	40	5B	5C	5D	5E	60	7B	7C	7D	7E
Japan	#	\$	@	[¥]	^	'	{		}	-
Norway	#	¤	É	Æ	Ø	Å	Ü	é	æ	ø	å	ü
Denmark II	#	\$	É	Æ	Ø	Å	Ü	é	æ	ø	å	ü
Spain II	#	\$	á	í	Ñ	¿	é	'	í	ñ	ó	ú
Latin America	#	\$	á	í	Ñ	¿	é	ü	í	ñ	ó	ú
Korea	#	\$	@	[₩]	^	'	{		}	-
Legal	#	\$	§	"	'	"	¶	'	©	®	†	™

Characters Available With the ESC (^ Command

To print with the characters listed below, use the ESC (^ command as described in the next section.

CODE	0	1	7
0			▶
1	◉	◄	
2	⊙	⊚	
3	▼	!!	
4	⊕	⊖	
5	⊗		
6	⊘	—	
7	·	±	†
8	■		
9	◊	↓	
A	◼	→	
B	♠	←	
C	♣	↖	
D	♠	↗	
E	♣	↘	
F	◊	▼	△

Using Printer Commands

You can operate your printer by using commands in one of two control code modes. For the best font and graphics control, always use EPSON ESC/P 2 mode. (For details on using ESC/P 2, see the *ESC/P Reference Manual* available from EPSON.)

If you need to emulate an IBM Proprinter, select IBM XL24E mode. (See IBM's X24/X24E reference manual.)

ESC/P 2 Control Codes

General operation:

ESC @, ESC U, ESC EM

Paper feeding:

CR, FF, LF, ESC 0, ESC 2, ESC 3, ESC +

Page format:

ESC (C, ESC C, ESC C 0, ESC Q, ESC l, ESC (c,
ESC N, ESC O

Print position motion:

ESC S, ESC \, ESC (V, ESC (v, ESC D, HT, ESC B,
ESC J, VT

Font selection:

ESC k, ESC x, ESC X, ESC P, ESC M, ESC g, ESC p,
ESC 4, ESC 5, ESC E, ESC F, ESC !

Font enhancement:

ESC W, DC 4, SO, DC2, SI, ESC w, ESC G, ESC H,
ESC T, ESC S, ESC -, ESC (-, ESC q

Spacing:

ESC space, ESC c, ESC (U

Character handling:

ESC t, ESC (t, ESC R, ESC %, ESC &, ESC :, ESC 6,
ESC 7, ESC (^

Bit image:

ESC *

Graphics:

ESC (G, ESC ., ESC (e, ESC (i, ESC (\, ESC (s

Color:

ESC r, ESC (r

Printing mode:

ESC (K

IBM XL24E Emulation Control Codes

General operation:

NUL, DC3, ESC j, BEL, CAN, DC1, ESC Q, ESC [K,
ESC U

Paper feeding:

FF, LF, ESC 5, ESC A, ESC A¹, ESC 0, ESC 1,
ESC 2, ESC 3, ESC 3¹, CR

Page format:

ESC C, ESC X, ESC N, ESC O, ESC 4

Print position motion:

ESC d, ESC R, ESC D, HT, ESC B, VT, ESC J, ESC J¹

Font selection:

DC2, ESC P, ESC :, ESC E, ESC F, ESC I

Font enhancement:

DC4, SO, ESC SO, ESC W, ESC [@, SI, ESC SI, ESC G,
ESC H, ESC T, ESC S, ESC -, ESC _

Spacing:

BS, SP, ESC [\

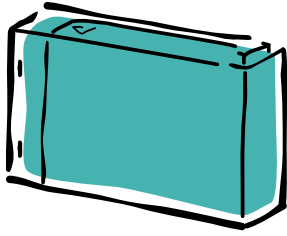
Character handling:

ESC 6, ESC 7, ESC [T, ESC ^, ESC \

Bit image:

ESC K, ESC L, ESC Y, ESC Z, ESC [g, ESC *¹

¹ Alternate Graphics Mode



6

Maintenance and Transportation

It's easy to keep your EPSON Stylus COLOR 3000 printer working at its best. All you have to do is follow the simple instructions in this chapter for replacing ink cartridges, performing routine maintenance, and moving the printer.

This chapter covers the following procedures:

- Cleaning the print heads
- Replacing an ink cartridge
- Aligning the print heads
- Cleaning the printer
- Transporting the printer

Cleaning the Print Heads

If your printed image is unexpectedly light or faint, or dots are missing from the image, you may need to clean the print heads. This unclogs the nozzles so they can deliver ink properly.

Cleaning the print heads uses ink, so clean them only if print quality declines. There are two ways to clean the print heads:

- The Head Cleaning utility in your printer software
- The printer's control panel buttons.

Use either method if your printer is connected directly to the computer. Use the control panel if your printer is connected via an optional network interface card.



Note:
You must print a few lines (for example, a nozzle check) after each print head cleaning in order to reset the cleaning cycle.



Note:

If any Ink Out lights are flashing or on, you need to replace the ink cartridge instead. See page 6-4 for instructions.

If you were printing when you started cleaning the print heads, the Pause light may still be on. Press the Pause button to turn off the light and resume printing.




Caution:

Never turn off the printer while the Pause light is flashing.

If, however, the Pause light is still flashing after 10 minutes and the printer is not moving or making any noise, you may turn off the printer.

Using the Head Cleaning Utility

Follow these steps to run the utility from a Windows computer or a Macintosh:

1. Make sure the printer is turned on but not printing.
2. Make sure all the Ink Out  lights are off.
3. Access the Main printer settings dialog box as described in Chapter 1.
4. Click the Utility tab (Windows) or the Utility button (Macintosh). You see the Utility menu.
5. Click the Head Cleaning icon.
6. Follow the instructions on the screen to clean the print heads. You can clean the black or color print head separately, or you can clean both. Cleaning each head takes up to three minutes, during which the printer makes some noise and the Operate and Pause lights flash.

When the lights stop flashing, you need to run a nozzle check to test the print quality and reset the cleaning cycle.
7. Make sure paper is loaded in the printer and click Print nozzle check pattern (Windows) or Confirmation (Macintosh), and then click Next. See page 6-4 for instructions on examining the nozzle check pattern.

If your print quality has not improved, repeat the steps above. If you don't notice any improvement after doing this four or five times, check the print quality solutions in Chapter 7.



Note:

If any Ink Out lights are flashing or on, you need to replace the ink cartridge instead. See page 6-4 for instructions.

If you were printing when you started cleaning the print heads, the Pause light may still be on. Press the Pause button to turn off the light and resume printing.





Caution:

Never turn off the printer while the Pause light is flashing.

If, however, the Pause light is still flashing after 10 minutes and the printer is not moving or making any noise, you may turn off the printer.

Using the Control Panel

1. Make sure the printer is turned on and not printing.
2. Make sure all the Ink Out  lights are off.
3. To clean the black print head, press the  Cleaning button for three seconds.

To clean the color print head, press the  Cleaning button for three seconds.

Cleaning each head takes up to three minutes, during which the printer makes some noise and the Operate and Pause lights flash.

4. After the cleaning cycle is complete and the Pause light stays on without flashing, you can repeat step 3 to clean the other print head, if you wish. Then you need to run a nozzle check to test the print quality and reset the cleaning cycle.
5. Access the Main printer settings dialog box as described in Chapter 1.
6. Click the Utility tab (Windows) or the Utility button (Macintosh). You see the Utility menu.
7. Click the Nozzle Check icon, then click Next. See the next section for instructions on examining the nozzle check pattern.

If your print quality has not improved, repeat the steps above. If you don't notice any improvement after doing this four or five times, check the print quality solutions in Chapter 7.

Examining the Nozzle Check Pattern

Examine the nozzle check pattern you print. It should look something like this, with the lower pattern colored cyan, magenta, and yellow:



W01372 C01267

Each staggered horizontal and straight vertical line should be complete, with no gaps in the dot pattern. If your printout looks okay, you're done. If any dots are missing, clean the print heads again, as explained in the previous sections.




Caution:
For best results, don't replace an ink cartridge unless its Ink Out light is flashing or on.

If you remove an ink cartridge and reinstall it, the printer cannot correctly determine the level of ink and the Ink Out light may not come on when the cartridge runs out of ink.

To ensure good results, use genuine EPSON cartridges and do not refill them. Other products may cause damage to your printer not covered by EPSON's warranty.

Replacing an Ink Cartridge

When an Ink Out  light flashes, the indicated cartridge is low on ink. This is a good time to make sure you have a new cartridge. When the light stays on, the cartridge is empty and you need to replace it.

Use EPSON ink cartridges within six months of installing them and before the expiration date on the package:

Black ink cartridge	S020118
Cyan ink cartridge	S020130
Magenta ink cartridge	S020126
Yellow ink cartridge	S020122

When you need new ink cartridges, contact your dealer or call EPSON Accessories at (800) 873-7766 (U.S. only). In Canada, please call (800) 873-7766 for dealer referral.



Caution:
Leave the empty cartridge installed in the printer until you are ready to replace it.

Once you remove an ink cartridge, it becomes unusable and cannot be reinstalled.

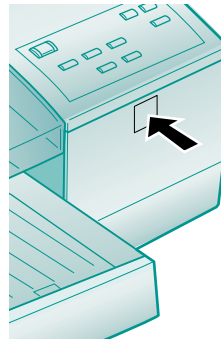


Warning:
If ink gets on your hands, wash them thoroughly with soap and water. If ink gets into your eyes, flush them immediately with water.

Removing and Installing an Ink Cartridge

You should replace an ink cartridge only when its Ink Out  light is flashing or on.


1. Make sure the printer is turned on and not printing.
2. Open the ink cartridge compartment by pushing the top of the ink compartment door. You see four slots for the ink cartridges.



3. Carefully pull the used ink cartridge straight out of the printer.
4. Make sure the replacement ink cartridge is the correct color; then remove it from its packaging.
5. Insert the ink cartridge into the slot with the foil plug end first and the arrow pointing toward the printer. Push the cartridge all the way into its slot until it meets resistance.

The Ink Out light turns off. If it remains on, pull the ink cartridge partly out of its slot and reinsert it.
6. Close the ink compartment door.

Printing in Black Ink With an Empty Color Cartridge

If a color ink cartridge runs out of ink and its Ink Out  light comes on, you can still continue printing with black ink. (If the black ink cartridge runs out of ink, you cannot continue printing.) However, you will need to resend any print job you were printing when the color ink ran out. Follow these steps:

1. Turn off the printer.
2. Wait about five seconds and then turn the printer back on again. Don't remove the empty color ink cartridge.
3. If there is paper in the paper path, press the Load/Eject button to eject it or to advance continuous paper to the tear-off edge. Tear off any continuous sheets and press Load/Eject again to park the continuous paper out of the path.
4. Access the printer software in your application as described in Chapter 1. Change the Ink setting for your document to Black and change any other settings as necessary. Then print the document.



Caution:

If you're printing on continuous label paper, don't press Load/Eject; this feeds the paper backward and may cause labels to tear off inside the printer. Follow the steps on page 3-19 instead.

To switch back to color printing, follow the steps beginning on page 6-5 to replace the color ink cartridge. Then turn the printer off and on again to reset color printing mode. Before you print, be sure to set the Ink setting to Color in your printer software as described in Chapters 1 and 2.

Aligning the Print Heads

If your printouts contain misaligned vertical lines, you may need to align the print heads. There are several ways to do this:

- If you're using Windows or a Macintosh, you can use the print head alignment utility in your printer software, as described below.
- You can also use the control panel to align the print heads.
- If you're printing from DOS, see page 5-7 for instructions on using the DOS print head alignment utility.

Use one of the utilities if your printer is connected directly to the computer. Use the control panel if your printer is connected via an optional network interface card.



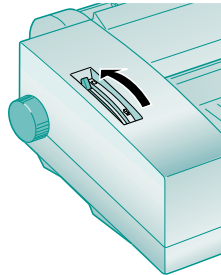
Caution:
Load paper that's at least 8.3 inches (210 mm) wide so ink doesn't spray onto the platen.

Using the Print Head Alignment Utility

1. Make sure the printer is turned on and paper is loaded in the paper tray (see page 3-7 for instructions).
2. Access the Main printer settings dialog box as described in Chapter 1.
3. Click the Utility tab (Windows) or the Utility button (Macintosh). You see the Utility menu.
4. Click the Print Head Alignment icon.
5. Follow the instructions on the screen to print an alignment test page and select the correct alignment.




Using the Control Panel









1. Load several sheets of paper at least 8.3 inches (210 mm) wide in the paper tray.
2. Move the paper-release lever backward to the single sheet position.



3. Turn off your printer.
4. Hold down the Pause button and turn on the printer to turn on print head alignment mode. Be sure to hold down both buttons for three seconds before releasing them.

The printer loads a sheet of paper and prints an instruction sheet telling you how to select a language (the default setting is English). The printer can then print instructions on aligning the print heads in the language you choose.

5. Press the Micro Adjust  button until the Ink Out  Yellow and Ink Out  Magenta lights on your control panel indicate the language you want to use.

Language	Lights
English	Both lights off
French	Ink Out  Yellow on and Ink Out  Magenta off
German	Ink Out  Yellow flashing and Ink Out  Magenta off
Italian	Ink Out  Yellow off and Ink Out  Magenta on
Spanish	Both lights on
Portuguese	Ink Out  Yellow flashing and Ink Out  Magenta on

6. Press the Pause button. The printer prints instructions on aligning the print heads using the control panel.
7. Follow the instructions on the sheet. When the print heads are aligned, turn off the printer to exit print head alignment mode.
8. After five seconds, turn on the printer to resume printing.



Caution:
Don't touch the gears
inside the printer.

Never use alcohol or
thinner for cleaning; they
can damage the printer
components and case.

Don't use a hard or
abrasive brush.

Don't get water on the
printer components.

Don't spray lubricants or
oils inside the printer.

Cleaning the Printer

To keep your printer working at its best, you should clean it several times a year, following these steps:

1. Turn off the printer, unplug the power cord, and disconnect the printer cable.
2. Remove the paper from all the paper feeders.
3. Clean the exterior of the printer with a soft, damp cloth. Keep the printer cover closed so water doesn't get inside.
4. Clean ink out of the printer's interior with a soft, damp cloth.

Transporting the Printer

If you want to ship your printer, you need to prepare it for transportation and repack it in the original box. Follow these steps:

1. Turn on the printer.
2. Remove all four of the ink cartridges and store them in separate plastic bags.
3. Close the ink compartment door.



Caution:
If you don't follow the procedures in this section, ink will leak when you transport the printer.

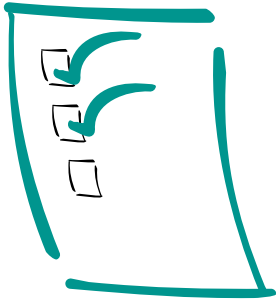
However, if you are moving your printer a short distance, for example, from one table to another, you don't need to remove the ink cartridges. Be sure to keep the printer level when you move it.

4. Turn off the printer and make sure the print heads are in the home (far right) position. If they are not, turn the printer back on, wait until they stop moving and are in the home position, then turn off the printer.
5. Wait until the printer stops making noise and any lights stop flashing, then unplug the power cord from the electrical outlet and disconnect the interface cable from the printer.
6. Remove the paper from all the feeders.
7. Remove the edge guides and banner paper cover.
8. Remove the paper tray and paper tray cover.
9. Repack the printer and attachments in the original box using the protective materials that came with it. See the Notice Sheet that was packed with the printer.

Be sure to keep the printer level in an upright position as you transport it.

If you reinstall the cartridges that were removed in step 2, the ink sensor will not correctly indicate the amount of ink in the cartridges. You may run out of ink before the Ink Out lights flash or come on. If you want the ink sensor to work properly, you need to install new ink cartridges. See page 6-4 for instructions.

If you notice a decline in print quality after transporting the printer, clean the print heads; if output is misaligned, align the print heads. See the instructions earlier in this chapter.



7

Troubleshooting

As you use your printer, you may occasionally experience a paper jam or other problem. The first thing you should do is diagnose the problem following the guidelines in this chapter. Then try the most likely solutions until the problem is fixed.

This chapter tells you everything you need to know about the following:

- Diagnosing problems
- Improving print quality
- Solving printing problems
- Fixing paper jams and other paper problems
- Solving miscellaneous printout problems

Diagnosing Problems

Your printer includes a number of ways to help you diagnose problems:

- To identify the most common problems, check the lights on the printer's control panel. See page 1-14 for instructions.
- You can also use the Status Monitor utility to identify common problems. For instructions, see page 4-4 (Windows 95) or page 4-8 (Macintosh).
- To determine whether the problem is caused by the printer itself, run a printer self test. See the next section for instructions.


- If you're experienced with reading hexadecimal code, you can print a hex dump to identify possible communication problems. See page 7-3 for instructions.
- For the latest information, check the EPSON Stylus COLOR 3000 Help program and the ReadMe file in the EPSON program group or folder.
- If none of the suggested solutions in this chapter solve your problem, contact EPSON as described under "Where to Get Help" in the Introduction.

Running a Self Test

You can run a printer self test to determine whether the problem lies with the printer itself or some other source.

- If the test results are satisfactory, the problem lies in your computer or its printer port, the interface cable, or your software settings.
- If the test pages don't print correctly, you may have a problem with your printer. See the suggestions in this chapter for possible solutions.

Follow these steps to test the printer:

1. Load several sheets of paper in the paper tray.
2. Turn off the printer.
3. Hold down the LF/FF button and press the  Operate button to turn on the printer. Then release both buttons. This prints the test pages at 360 dpi. (If the test pages don't print, turn off the printer. Repeat the button sequence, but hold down both buttons for several seconds before releasing them.)



Caution:

Use paper that's at least 8.3 inches (210 mm) wide. Otherwise the print head will spray ink directly onto the platen.



Caution:
Never turn off the printer while it is printing. To end the test, always press the Pause button, eject any loaded paper, then turn off the printer.

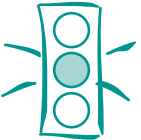
The first page prints on the first and last lines to measure the page length. The next page contains a nozzle check pattern and multicolored character samples.

To print test pages at 180 dpi, hold down the Load/Eject button while turning on the printer instead of LF/FF. The 180-dpi self test prints in black.

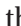
4. After the second page prints, press the Pause button to stop printing.
5. If the printer loaded any additional paper, press Load/Eject to eject it. Then turn off the printer to end the test.

Printing a Hex Dump

If you're experienced reading hexadecimal code, you can print a hex dump to pinpoint communication problems between your computer and printer. Then you can interpret the code yourself or report the results to a support technician.




Caution:
Use paper that's at least 8.3 inches (210 mm) wide. Otherwise the print head will spray ink directly onto the platen.

1. Load several sheets of paper in the paper tray.
2. Turn off the printer.
3. Hold down the LF/FF and Load/Eject buttons and press the  Operate button to turn on the printer. Then release all the buttons.
4. Open an application and send a print job. The printer prints the data in hexadecimal code.
5. When printing is finished, turn off the printer to exit hexadecimal mode.


Improving Print Quality

You can often improve print quality by doing the following:

- Clean the print heads (see Chapter 6 for instructions).
- Use higher quality paper appropriate for your print job (see Chapter 3 for a list of EPSON papers).
- Match the Media Type setting in the printer software to the type of media you loaded in the printer (see Chapter 3 for details).
- Make sure the thickness lever is set to the correct position for your media (see Chapter 3 for details).
- Turn off High Speed mode in the printer software (see Chapter 2 for details).
- Make sure you're not using an Economy option in the printer software (see Chapter 2 for details).
- Replace the ink cartridges. (Check the status of the Ink Out  lights first. See Chapter 6 for instructions.)

Here are some detailed solutions to specific print quality problems.

Printed image has horizontal banding.

Possible cause	Solution
The Media Type setting doesn't match the loaded paper.	Make sure the Media Type setting matches the loaded paper or other media. Then the printer software can automatically select other settings for the best quality. See Chapters 1 through 3.
The printable side of the paper is loaded upside down.	Remove the paper and reload it correctly for the media and feeder you're using. See Chapter 3 for instructions.
The print head nozzles are clogged.	Clean the print heads. See Chapter 6 for instructions.
The ink cartridges are low on ink.	Check the Ink Out  lights to see which cartridge you need to replace. See Chapter 6.
The MicroWeave option is not set.	Turn on MicroWeave in the printer software. See Chapter 2 for more information.

Vertical lines are misaligned or vertical banding appears.

Possible cause	Solution
The print head nozzles are clogged.	Clean the print heads. See Chapter 6 for instructions.
High Speed mode or Bi-D mode are turned on.	If vertical lines are misaligned, turn off High Speed mode in the printer software (see Chapter 2 for information). If you're printing with DOS, turn off Bi-D printing using default-setting mode (see Chapter 5 for instructions.)
The print heads are misaligned.	Run the Print Head Alignment utility. See Chapter 6 for Windows or Macintosh instructions; see Chapter 5 for DOS instructions.

The printed image has incorrect or missing colors.

Possible cause	Solution
The Ink option is set to Black .	Change the Ink setting to Color . See Chapter 1 for instructions.
The Media Type setting doesn't match the loaded paper.	Make sure the Media Type setting matches the paper or media you're using. Then the printer software can automatically select other settings for the best quality. See Chapters 1 through 3.
The printable side of the paper is loaded upside down.	Remove the paper and reload it correctly for the media and feeder you're using. See Chapter 3 for instructions.
The Halftoning and Color Adjustment Mode options are set incorrectly for your document type.	Use the correct settings for the project you are printing, following the instructions in Chapter 2.
The print head nozzles are clogged.	Clean the print heads. See Chapter 6 for instructions.
The ICM (Windows 95) or ColorSync (Macintosh) settings are incorrect for your document.	Use the Automatic mode setting or choose a different project type setting. See Chapter 2 for more information.
The ink cartridges are low on ink or empty.	Check the Ink Out lights to see which cartridge you may need to replace. See Chapter 6 for instructions.
The colors displayed on your monitor don't match the printed colors.	Because your monitor and printer use different technologies to represent colors, your printed colors cannot exactly match those on your monitor screen. Use the ICM (Windows 95) or ColorSync (Macintosh) settings. See Chapter 2 for more information.
The color settings in your application software need adjustment.	You may be able to adjust various color settings in your application software. See your software documentation for more information.

The printed image is faint or has gaps.

Possible cause	Solution
The print head nozzles are clogged.	Clean the print heads. See Chapter 6 for instructions.
The Media Type setting doesn't match the loaded paper.	Make sure the Media Type setting matches the loaded paper or other media. Then the printer software can automatically select other settings for the best quality. See Chapters 1 through 3.
The loaded paper is upside down, damaged, old, or dirty.	Remove the paper and reload a new stack with the printable side facing correctly. See Chapter 3 for instructions.
The ink cartridges are low on ink.	Check the Ink Out lights to see which cartridge you may need to replace. See Chapter 6 for instructions.
An ink cartridge is out of ink.	If you replaced an ink cartridge before its ink out light came on, the ink sensor was incorrectly reset. Replace the empty ink cartridge with a new ink cartridge. See Chapter 6 for instructions. This resets the ink sensor.
You're on a network and the Network I/F setting is turned off.	Try turning on the Network I/F setting using default-setting mode to see if this solves the problem. See Chapter 5 for instructions.
You're using Economy mode.	Turn off Economy mode. Economy mode is for printing drafts only.

The printed image is blurry or smeared.

Possible cause	Solution
The printer's thickness lever is in the 0 position.	Set the thickness lever to the + position and try printing again. See Chapter 3 for instructions.
The paper is damp or the printable side is upside down.	Remove the paper and reload a new stack with the printable side facing correctly. See Chapter 3 for instructions.
You loaded special media without a support sheet.	Follow the special media loading instructions in Chapter 3 and on the paper packaging for media that require support sheets. Also try loading your media one sheet at a time.
You tried to print on cardboard or other non-recommended media.	Make sure your paper or media meets the specifications listed in Appendix C. If your printouts are still blurry after you change paper, clean the print heads as described in Chapter 6.
The Media Type setting does not match the loaded paper.	Make sure the Media Type setting matches the media you loaded. Then the printer software can automatically select other settings for the best quality. See Chapters 1 through 3 for information.

Possible cause	Solution
The sheets entering the output tray are smearing the ink on ejected pages.	Remove each sheet from the output tray as soon as it is printed to prevent smearing, especially if you use transparencies.
Ink has leaked inside the printer.	Clean carefully inside the printer to remove spilled ink. See Chapter 6 for instructions.
A color ink cartridge is empty and you've continued printing with the Ink option set to Color .	Follow the instructions on page 6-6 to print in black ink with an empty color cartridge. Then replace the color ink cartridge following the instructions in Chapter 6.
You're using the High Speed (or BiD) and MicroWeave settings with a misaligned print head.	Turn off High Speed mode following the instructions in Chapter 2. (If you're printing with DOS, turn off Bi-D printing in default-setting mode; see Chapter 5.) Then align the print heads following the instructions in Chapter 6 (for Windows and Macintosh) or Chapter 5 (for DOS).

Photographic images look grainy or rough.

Possible cause	Solution
The print heads are misaligned.	Align the print heads following the instructions in Chapter 6 (for Windows and Macintosh) or Chapter 5 (for DOS).
The resolution of your image may be too low.	Increase the image resolution using your image-editing software, or decrease the size of the image.

Color documents print in black ink only.

Possible cause	Solution
Your printer is not selected in your application.	Select your printer and port in your software application.
Color printing is not selected.	Select color printing in your application and the printer driver.
A color ink cartridge is empty.	Check the Ink Out lights and replace the color cartridge, if necessary. See Chapter 6 for instructions on replacing ink cartridges and printing with an empty color cartridge.

Solving Printing Problems

If the printer won't print, first check that:

- ▶ The printer is turned on and the Operate light is on.
- ▶ Paper is loaded in the printer.
- ▶ The printer is plugged securely into a working electrical outlet that's not controlled by a switch or timer.
- ▶ The interface cable is securely connected to the printer and computer and both are turned on.

If you still can't print, check the following solutions.

All lights are off.

Possible cause	Solution
The printer is not receiving power.	Turn off the power and plug in the power cord securely.

Only the Operate light is on, but nothing prints.

Possible cause	Solution
The interface cable is not connected securely or does not meet both the printer and computer specifications.	Turn off your printer and computer. Then make sure the cable is connected securely and meets both the printer and computer specifications. For printer specifications, see Appendix C. For computer specifications, see your computer documentation.
The printer has an internal problem.	Turn off the printer and computer, disconnect the interface cable, and run a printer self test as described on page 7-1.
Your printer or application software is installed incorrectly.	If the self test prints correctly, check your printer and application software for correct installation. If you're printing on a network, make sure you set up your printer as described in Chapter 4.
Your computer doesn't have enough memory to handle the data in the file you are printing.	Try one of the following: <ul style="list-style-type: none">▶ Reduce the resolution of your image.▶ Select fewer colors or a lower resolution for your monitor.▶ Add more memory to your computer.
Printing is stalled in Spool Manager (Windows 95/3.1) or the Windows NT print queue.	Delete the stalled print jobs in Spool Manager or the Windows NT print queue and resume printing. See Chapter 4 for instructions.

Possible cause	Solution
Printing is stalled in Monitor2 (Macintosh).	Open the Extensions folder, EPSON folder, and Spool folder. Then delete any queued files.
The print heads are clogged or the ink cartridges are too old.	If the printer sounds like it's trying to print but doesn't print anything, clean the print heads; see Chapter 6 for instructions. If cleaning doesn't help, replace the cartridges. For information on cartridge life and replacement instructions, see Chapter 6.
You're using an incompatible optional interface board or one with mismatched settings.	Check the specifications for your interface board and cable, making sure they meet the printer's requirements (see Appendix A) and that they match your computer's settings (see your computer manual). Also make sure the Network I/F setting is turned on in default-setting mode (see Chapter 5).

The Paper Out *light is flashing or on.*

Possible cause	Solution
If flashing, paper is jammed.	Remove the paper and follow the guidelines for preventing jams on page 7-16.
If on, paper is not loaded or is loaded incorrectly.	Load paper or remove the stack and reload it as described in Chapter 3. Then press the Load/Eject button to turn off the light and resume printing.
If on, the paper-release lever is set incorrectly for the paper you loaded.	Set the paper-release lever forward for continuous tractor-fed paper or backward for single sheets. See Chapter 3 for more information.

An Ink Out  *light is flashing or on.*

Possible cause	Solution
If flashing, the ink supply is getting low.	You need to replace the indicated ink cartridge soon. Make sure you have a new cartridge, then see Chapter 6 for instructions.
If on, the ink cartridge is empty.	You must replace the indicated ink cartridge; see Chapter 6 for instructions.

All the lights come on briefly, then go off.

Possible cause	Solution
The printer's voltage doesn't match your outlet's voltage.	Check the label on the back of your printer to determine its voltage. If it doesn't match your outlet's voltage, turn off the printer and unplug it immediately. Then contact your dealer. Do not plug the printer back in.

All the lights are flashing.

Possible cause	Solution
An internal error may have occurred.	Turn off your printer, wait five seconds, and turn it on again. If the lights still flash or stay on, contact EPSON as described in the Introduction.

The printer has finished charging an ink cartridge, but the Pause light is still flashing.

Possible cause	Solution
The printer needs to initialize.	If the light is still flashing after 10 minutes and printer is not moving or making noise, turn the printer off. If the light is still flashing when you turn it back on, contact EPSON as described in the Introduction.

The printer sounds like it's printing but nothing prints.

Possible cause	Solution
The print head nozzles are clogged.	Clean the print heads. See Chapter 6 for instructions.
The ink cartridges are too old.	For information on cartridge life and replacement instructions, see Chapter 6.
An ink cartridge is out of ink.	If you replaced an ink cartridge before it's ink out light came on, the ink sensor was incorrectly reset. Replace the empty ink cartridge with a new ink cartridge. See Chapter 6 for instructions. This resets the ink sensor.

The printer software installed with Windows 3.1 does not work correctly after you upgrade to Windows 95.

Possible cause	Solution
Your printer software is not set up correctly for Windows 95.	Reinstall the printer software after installing Windows 95, as described in the <i>Quick Setup</i> booklet.

After you install your printing software, you see the Windows 95 New Hardware Found window.

Possible cause	Solution
An operating system error has occurred.	Click Do not install a driver, and then click OK.

You see a spooling error message (Windows 95/3.1).

Possible cause	Solution
Spooling error messages or very slow printing may be caused by temporary files.	Change the Spool Manager default directory, following the instructions in Chapter 4.
Your hard drive is too full.	Delete unnecessary files to make room on the drive.
Your computer doesn't have enough memory for the file you're printing.	Try one of the following: <ul style="list-style-type: none"> ▶ Reduce the resolution of your image. ▶ Select fewer colors or a lower resolution for your monitor. ▶ Add more memory to your computer.

In Windows 95, the Status Monitor box does not appear with the Despooler.

Possible cause	Solution
The Windows Print Manager is interfering with the Status Monitor.	Make sure Use Print Manager for this port is not checked in the Spool Manager Queue setup. Then check your bidirectional spool settings. See Chapter 4 for instructions.

You see a memory error message (Macintosh).

Possible cause	Solution
You may need to increase the memory allocation for your application, EPSON Monitor2, or both.	Choose Get Info from the File menu when your application is active and increase the memory requirements. See Chapter 4 for more information. Or turn off background printing (you won't be able to use Monitor2).

A portion of your image doesn't print (Macintosh).

Possible cause	Solution
Your system doesn't have enough available memory.	Close any other applications you are running or turn off background printing.
You may need to increase the memory allocation for your application, EPSON Monitor2, or both.	Choose Get Info from the File menu when your application is active and increase the memory requirements. See Chapter 4 for more information. Or turn off background printing (you won't be able to use Monitor2).

Printing is too slow.

Possible cause	Solution
Your printer software options are set incorrectly.	For the fastest printing, try the following: <ul style="list-style-type: none">▶ Set Print Quality to Economy.▶ Turn High Speed on.▶ Choose No Halftoning.▶ Choose Black ink. See Chapters 1 and 2 for more information.
Your system doesn't have enough resources.	<ul style="list-style-type: none">▶ Reduce the resolution of your image.▶ Clear space on your hard disk drive or run a defragmentation utility.▶ Don't run too many applications at the same time.▶ Turn off virtual memory.▶ Increase your system's memory (RAM).
You're using background printing on a Macintosh.	Choose Get Info from the File menu when your application is active and increase the memory requirements. See Chapter 4 for more information. Or turn off background printing (you won't be able to use Monitor2).
Your Spool Manager settings are incorrect (Windows 95/3.1).	Change your default spool directory and other settings as described in Chapter 4.

Your printer switches to the modem port or won't confirm on the printer port (Macintosh).

Possible cause	Solution
Your system has extension conflicts.	Make sure AppleTalk is inactive. In the Extensions Manager, disable the AppleShare, FileShare, and PrinterShare extensions. Set your printer and any unused printers to the printer port. Then restart your system.
You're using an AppleTalk cable.	Make sure you're using a standard Apple System Peripheral-8 cable. See Appendix C for specifications.

Your printer icon doesn't appear in the Chooser (Macintosh).

Possible cause	Solution
Your system has extension conflicts.	In the Extensions Manager, disable Quick Draw GX. Make sure EPSON Monitor2 and EPSON Stylus Color are enabled, then restart your Macintosh.

The “Sorry, EPSON Stylus COLOR cannot be used” message appears (Macintosh).

Possible cause	Solution
The printer driver has been corrupted.	<p>Remove and reinstall the driver:</p> <ol style="list-style-type: none"> 1. From the printer software CD-ROM or floppy disk, click Installer, click Continue, and select Custom Remove from the pop-up list that displays “ Easy Install.” 2. Select EPSON Stylus Series Printer Driver, and click Remove. Click Continue, if necessary, and click Restart. 3. See the <i>Quick Setup</i> booklet for instructions on installing the printer driver. 4. In the Extensions Manager, disable Quick Draw GX. 5. Make sure EPSON Monitor2 and EPSON Stylus Color are enabled, then restart your Macintosh.

You turned the printer on and it is making noise.

Possible cause	Solution
The printer is charging the print heads.	Wait until the printer finishes charging the print heads before you print. If the printer has been turned off for a while (for example, over the weekend), it needs to charge the print heads before printing. This can take up to 10 minutes; do not turn off the printer while the print heads are charging.

Fixing Paper Problems

You can avoid most paper handling problems by doing the following:

- Use smooth, high-quality media designed for ink jet printers that meet the media specifications in Appendix C.
- Make sure the paper is dry and flat before loading it.
- Follow all loading and handling instructions included with the media and in Chapter 3.

If you have problems with paper feeding, paper jams, or ejected paper, check here for solutions.

Paper doesn't feed correctly from the paper tray.

Try this	Then do this
Remove the stack of paper from the paper tray.	<p>Check that the paper:</p> <ul style="list-style-type: none">● Isn't curled or creased.● Isn't too thick or thin (see Appendix C).● Isn't too old (see Chapter 3 or your paper packaging).● Isn't overloaded in the feeder (see Chapter 3 for guidelines).● Isn't jammed inside the printer. (If the Paper Out light is flashing, paper is jammed. See page 7-16.) <p>Then reload the paper as described in Chapter 3, making sure that:</p> <ul style="list-style-type: none">● The paper-release lever is set backward to the single sheet position.● The edge guides fit the paper's width snugly, without any slack.● The rear edge guide fits the paper's length.● The paper tray and paper tray cover are fully extended if you are printing on oversized paper.● No continuous paper is in the paper path. (Press Load/Eject to park it out of the way.)

Paper doesn't feed correctly from the manual feeder.

Try this	Then do this
Remove the paper from the manual feeder.	<p>Check that the paper:</p> <ul style="list-style-type: none">● Isn't curled or creased.● Isn't too thick or thin (see Appendix C).● Isn't too old (see Chapter 3 or your paper packaging).● Isn't jammed inside the printer. (If the Paper Out light is flashing, paper is jammed. See page 7-16.) <p>Then reload the paper as described in Chapter 3, making sure that:</p> <ul style="list-style-type: none">● The paper-release lever is set backward to the single sheet position.● The edge guides fit the paper's width snugly, without any slack.● The paper is loaded all the way into the manual feed slot.● No continuous paper is in the paper path. (Press Load/Eject to park it out of the way.)

Paper doesn't feed correctly from the tractor feeder.

Try this	Then do this
Remove the continuous paper from the tractor feeder following the instructions on page 3-19.	<p>Check that the paper:</p> <ul style="list-style-type: none"> • Isn't curled or creased. • Isn't too thick or thin (Appendix C). • Isn't too old (see Chapter 3 or your paper packaging). • Isn't jammed inside the printer. (If the Paper Out light is flashing, paper is jammed. See page 7-16.) <p>Then reload the paper as described in Chapter 3, making sure that:</p> <ul style="list-style-type: none"> • The paper-release lever is set forward to the continuous paper position. • The paper stack is close enough to the printer, but has room in front and back to load and eject without obstruction. • The paper's holes are aligned on the sprockets, the sprockets are locked and their covers are closed, and the paper is not too slack. • No single sheet paper is in the paper path. (Press Load/Eject to eject any sheets.) <p>Before printing, check that:</p> <ul style="list-style-type: none"> • The paper source and paper size are set correctly in your application or printer software. If you're using DOS, check the Page Length setting in default-setting mode (see Chapter 5). • The skip over perforation, auto tear-off, and banner modes are set correctly for your media (see Chapter 5).

Multiple pages feed at the same time.

Try this	Then do this
Remove the stack of paper.	<ul style="list-style-type: none"> • Make sure the paper isn't too thin (see the paper specifications in Appendix C). • Fan the edges of the stack of paper to separate the sheets. • Reload the paper as described in Chapter 3, making sure to load only the amount of paper directed for your media and feeder. • If more copies of a page or document are printing than you expected, check that the Copies settings in both the printer software and your application program are set to 1. See Chapters 1 and 2 for information.

Paper jams inside the printer.

Try this	Then do this
Turn off your printer, open the cover, remove any loaded paper, and remove any little pieces that may have torn off inside.	<p>You may need to turn the knob on the left side of the printer counterclockwise to eject all the torn pieces of paper. Never turn this knob when the printer is on. You'll lose the top-of-form position and may damage the printer. If you were printing labels, make sure there are no labels or adhesive stuck inside.</p> <p>Then reload the paper as described in Chapter 3.</p> <p>If your paper jams frequently, make sure you:</p> <ul style="list-style-type: none">• Use smooth, high-quality paper, with the printable side loaded correctly for your media type and feeder.• Fan the stack and then even the edges before loading it.• Don't load too much paper for your media type and feeder.• Adjust the edge guides or sprockets to fit the width of your paper snugly, but without too much slack.

Paper doesn't eject fully or is wrinkled.

Possible cause	Solution
If the paper doesn't eject fully, you may have set the wrong paper size.	Press the Load/Eject button to eject the paper. Then make sure you select the correct paper size in your application software, printer software, or default-setting mode. (See the paper specifications in Appendix C for the paper sizes you can print with.)
If it's wrinkled when it comes out, the paper may be damp or too thin.	See the paper specifications in Appendix C for paper thicknesses you can print with, as well as environmental requirements for storage.

Solving Miscellaneous Printout Problems

If your printout results are not what you expected, try these solutions.

Characters are incorrect or garbled.

Possible cause	Solution
Your printer is not the Windows default printer.	Select your printer as the default Windows printer. See your Windows documentation or online help for instructions.
Your printer is not selected in the Macintosh Chooser.	Open the Chooser and select your printer. See the <i>Quick Setup</i> booklet for instructions.
Your printer is not selected in your DOS applications.	Select printer software for each DOS application you use, as described in Chapter 5.
Printing is stalled in Spool Manager (Windows 95/3.1) or in the Windows NT print queue.	Delete the stalled print jobs in Spool Manager or the Windows NT print queue following the instructions in Chapter 4. Then try printing again.
If you're using background printing on a Macintosh, spooled data may be corrupted.	Open the Extensions folder, EPSON folder, and Spool folder. Then delete any queued files. Increase the memory requirements for EPSON Monitor2 as described in Chapter 4.
The interface cable is not securely connected.	Turn off your printer and computer. Then make sure the cable is connected securely and meets the printer's specifications.
You're printing with DOS and your software or default-setting mode settings are incorrect.	If you selected your font, pitch, character table, and line spacing settings in your application software, make sure those settings are correct. If you set them using your printer's default-setting mode (along with the Network I/F setting), follow the instructions in Chapter 5 to make sure those settings are correct.
The printer's parallel interface transfer rate doesn't match your computer's transfer rate.	Make sure your computer and printer's Parallel I/F transfer rate are the same. Set the printer's transfer rate using default-setting mode. See Chapter 5 for instructions. If you are not sure what settings to use, try setting both to Normal.

The margins are incorrect.

Possible cause	Solution
Margins are set incorrectly in your software application.	Check your software documentation for instructions on selecting the correct margins for your paper size. The maximum printable width is 16.3 inches (416 mm) on any size paper. Make sure the margins are within the printable area of the page. See Appendix C for more information.
Paper settings in the printer software are incorrect for your paper size.	Select the correct paper settings for your paper size. See Chapters 1 and 2 for more information.

The image is inverted as if viewed in a mirror.

Possible cause	Solution
You used a Flip Horizontal option in your application software or the printer software.	Turn off the Flip Horizontal or mirror setting in your application software or the printer software. See Chapter 2 for information. Remember that images printed on iron-on transfer paper and back light film should be inverted so they appear correctly when transferred or viewed from the reverse side.

The printer prints blank pages.

Possible cause	Solution
The print head nozzles are clogged.	Clean the print heads following the instructions in Chapter 6.
Paper settings in the printer software are incorrect for your paper size.	Select the correct paper settings for your paper size. See Chapters 1 and 2 for more information.
Your printer is not the Windows default printer.	Select your printer as the default Windows printer. See your Windows documentation or online help for instructions.
Your printer is not selected in the Macintosh Chooser.	Open the Chooser and select your printer. See the <i>Quick Setup</i> booklet for instructions.

A

Using Optional Interfaces

Your EPSON Stylus COLOR 3000 includes both parallel and serial interfaces so you can connect it to a PC or Macintosh, or both at the same time. If you want to connect to another system or to a network, you can install an optional interface board.

You can install one of the following EPSON interface boards in your printer:

Type of interface board	Model number	Compatibility
Serial	C823051	PC
32KB serial	C832071	PC
32KB parallel	C823101	PC
Twinax	C823151	PC
Coax	C823141	PC
LocalTalk	C823121	Macintosh
Ethernet	C823461	Macintosh/PC
Type B bidirectional parallel	C823452	PC

To order an interface board, contact your dealer or call EPSON Accessories at (800) 873-7766 (U.S. sales only). In Canada, call (800) 873-7766 for dealer referral.

This chapter tells you how to install and use EPSON interface boards in the following sections:

- Using Macintosh interface boards
- Using the PC serial interface board
- Installing optional interfaces

Using Macintosh Interface Boards

If you are planning to install the LocalTalk board, you also need two LocalTalk Locking Connector Kits (DIN-8 version). Attach one connector box to the AppleTalk interface on the printer and the other to the printer port on the Macintosh. Then attach the LocalTalk cable between the two connector boxes. For more information, see the instructions that come with the connector kits.

If you install the Ethernet board connected to a thin coaxial (10BASE2) cable, and the printer is the last device on the network, you need to obtain a 50-ohm terminator. The Ethernet transceiver is included on the EPSON Ethernet board, so you do not need an adapter box for the printer.

Using the PC Serial Interface Board

Before you install the serial interface board in your printer, follow the instructions that come with the board for setting the baud rate and parity. You may also need to set the board's handshake timing, error handling, and other data transfer conventions. Refer to your computer documentation for information about matching the board's settings to your computer system.



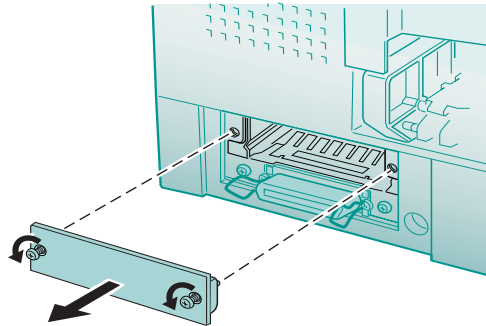
Caution:

To avoid damaging your printer or computer, do not install the interface board when the printer is connected to an electrical outlet.

Installing Optional Interfaces

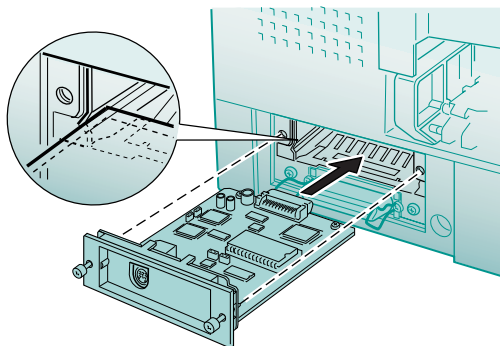
Before you install an optional interface board in your printer, make sure the printer is turned off and all the printer's lights are off. Then follow these steps:

1. Unplug the power cord from the electrical outlet (and from the back of the printer, if your printer's power cord is removable).
2. Disconnect any interface cables from the back of the printer.
3. Use a Phillips-head screwdriver to remove the two screws securing the interface cover. Then lift off the cover.



4. Set any switches and jumpers on the interface board as described in its manual. If your board has a jumper labeled JG, make sure that you set it to ON, or the board will not work properly.

- Slide the interface board along the slots on both sides of the compartment. Push it in firmly to fully insert the board's connector into the printer's internal socket.



- Secure the interface board in the slot with the two screws included with the board.
- Connect the proper interface cable to the interface board and to your computer. If the cable has a grounding wire, connect it to one of the screws securing the interface board.
- Reconnect any other interface cables you disconnected.
- Make sure the printer is turned off. Then plug in the power cord and turn on the printer.

In most cases, the printer automatically detects the interface you're using. However, if you have trouble printing through an installed interface board, you may need to change the printer's I/F (interface) mode setting using default-setting mode. See page 5-3 for instructions.

To remove the interface board, first follow steps 1 and 2 in this section. Remove the screws securing the board and carefully pull it out of the internal printer socket. Then replace the interface cover and screws you removed in step 3. Now you can connect your printer using one of the built-in interfaces as described in your *Quick Setup* booklet.

B *Using* *EPSON Plot!*

You can use the EPSON Plot! utility to open and scale HPGL or HPGL/2 plotter files and then print them on your printer. Follow the instructions in this Appendix to install the program and print with EPSON Plot! and your Windows printer driver.

You can install and use EPSON Plot! on any system running Windows 3.1, Windows 95, or Windows NT (3.51 or 4.0). Make sure to connect the printer to that system and install the printer software following the instructions in the *Quick Setup* booklet before you begin.

Installing EPSON Plot!

Follow these steps to install EPSON Plot! on the system connected to the printer:

1. Make sure Windows is running, but no applications are open.
2. Insert the EPSON printer software diskette in a drive.
3. With Windows 3.1 Program Manager, open the File menu and click Run.

With Windows 95 or Windows NT, click Start, then click Run.

4. Type A:\SETUP (where A is the drive letter of your drive and click OK.
5. Follow the instructions on the screen to install the program on your hard disk.

The installation program creates an EPSON Plot! program group or folder containing the program icon and icons for Help, Readme, and Uninstall programs.



Note:
When you create plot files for printing, use an HPGL/2 driver whenever possible. HPGL/2 drivers do a better job of maintaining the colors assigned in your CAD application than HPGL drivers, which may limit you to 8 or 16 pen colors.

Printing With EPSON Plot!

Before starting EPSON Plot!, do the following to prepare for printing:

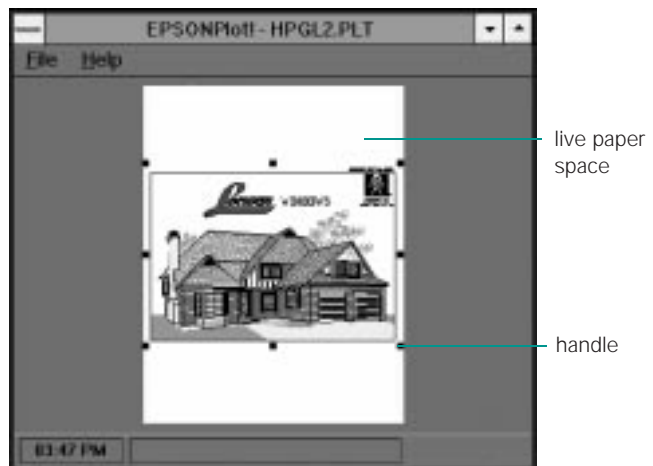
- Install the EPSON Stylus COLOR 3000 Windows printer software on the computer connected to the printer. (See the *Quick Setup* booklet for instructions.)
- Turn on the printer.
- Create an HPGL or HPGL/2 plot file using your plotter software on any system.
- Copy that plot file to the system connected to the printer, if necessary.

Now follow these steps to open EPSON Plot! and print:

1. Double-click the EPSON Plot! icon in the EPSON Plot! program group or folder. You see the following screen:



2. Select Open File from the File menu.
3. In the Open File dialog box, choose the HPGL or HPGL/2 file you want to print and click OK. A representation of the file contents appears in the Live Paper Space in EPSON Plot!:





Note:
The gray area around the image represents the area you cannot print on.

If you resize the plot file, EPSON Plot! retains the proportions of the original and preserves the X and Y coordinates.

If you print at 720- or 1440-dpi, you need to rescale your image. Otherwise it will print smaller than what is shown in the Live Paper Space.

4. Select Printer Setup from the File menu.
5. Select the EPSON Stylus COLOR 3000 printer, if necessary, and click Options. You see the Main printer settings menu.
6. Follow the instructions in Chapters 1 and 2 to select the correct printer settings. Make sure to select the Paper Source and Paper Size options for your paper and feeder so EPSON Plot! can display the plot file contents exactly as it will appear when you print.
7. When you're finished selecting your printer software settings, click OK. Then click OK in the Print Setup dialog box.
8. If you want to resize the plot file, click a handle in the Live Paper Space and drag it to change the size. To reposition the plot, click inside the image display and drag it into position.
9. When the plot file looks how you want it to, select Print from the File menu.
10. Click OK to print the file on your EPSON Stylus COLOR 3000.

See Chapters 1 and 4 for information on managing the print job while it prints.
11. When you're finished printing with EPSON Plot!, select Exit from the File menu to exit the program.



Specifications

Printing

Printing method On-demand ink jet

Nozzle configuration Monochrome (black) 128 nozzles
Color (cyan, magenta, yellow) 192 nozzles, 64 of each color

Printable columns and printing speeds

Character pitch (characters per inch)	Printing column	Printing speed (characters per second)	
		Draft	LQ
10	161	800	400
12	193	960	480
15	242	1200	600
17 (10 condensed)	276	1378	684
20 (12 condensed)	322	1600	800

Resolution Maximum 1440 dpi × 720 dpi

Print direction Bidirectional with logic seeking for text and graphics. (Auto print direction can be set in the default-setting mode.)

Control code ESC/P 2 and expanded raster graphics code
IBM XL24E

Line spacing 1/6 inch (default), programmable in 1/8-inch and 1/360-inch increments

Paper feed speed 100 milliseconds per 1/3-inch line

Input buffer 64KB

Specifications

Fonts

Bitmap fonts

Font	10 cpi	12 cpi	15 cpi	Proportional
EPSON Roman	x	x	x	x
EPSON Sans Serif	x	x	x	x
EPSON Courier	x	x	x	—
EPSON Prestige	x	x	x	—
EPSON Script	x	x	x	—

cpi=characters per inch.

Select other font/pitch combinations using the ESC/P 2 commands as described on page 5-17.

Scalable fonts

Font	Minimum point size	Maximum point size	Increments
EPSON Roman	8	32	2
EPSON Sans Serif	8	32	2
EPSON Roman T	8	32	2
EPSON Sans Serif H	8	32	2



Note:

The printer always uses the fonts you selected with your software application. You need to use the printer's internal fonts only if your application doesn't allow you to select fonts.

Character tables

1 italic and 26 graphics character tables

Character sets

14 international character sets and 1 legal character set



Note:

Character tables are selected with default-setting mode (see page 5-3 for instructions) or by using software commands (see page 5-17 for instructions).

Paper

Paper type	Size	Paper types	Thickness	Weight
Single sheets	Letter (8.5 × 11 inches) A4 (210 × 297 mm) A5 (148 × 210 mm) Legal (8.5 × 14 inches) Half Letter (5.5 × 8.5 inches) Executive (7.5 × 10 inches) A2 (420 × 594 mm) Super A3/B (13 × 19 inches) A3 (297 × 420 mm) Ledger (11 × 17 inches) US C (17 × 22 inches) B3 (364 × 514 mm) B4 (257 × 364 mm) B5 (182 × 257 mm)	Plain bond paper and special ink jet papers distributed by EPSON	0.0031 to 0.0059 inch (0.08 to 0.15 mm)	Built-in sheet feeder: 17 to 24 lb (64 to 90 g/m ²) Manual feeder: 14 to 24 lb (52 to 90 g/m ²)
Transparencies and Glossy film	Letter (8.5 × 11 inches) A4 (210 × 297 mm) A6 (105 × 148 mm, glossy film only) Super A3/B (13 × 19 inches, glossy film only)	Transparencies and glossy film distributed by EPSON	0.005 to 0.006 inch (0.13 to 0.15 mm)	—
Glossy paper	Letter (8.5 × 11 inches) A2 (420 × 594 mm) A4 (210 × 297 mm)	Glossy paper distributed by EPSON	0.0066 to 0.0070 inch (0.17 to 0.18 mm)	—
Photo quality Self adhesive sheets	A4 (210 × 297 mm)	Self adhesive sheets distributed by EPSON	0.0079 inch (0.2 mm) maximum	—
Envelopes	No. 10 9.5 × 4.1 inches (240 × 104 mm) DL 8.7 × 4.3 inches (220 × 110 mm) C5 9 × 6.4 inches (229 × 162 mm)	Plain bond paper or air mail paper	0.006 to 0.02 inch (0.16 to 0.52 mm)	12 to 24 lb (45 to 90 g/m ²)
Index (ink jet) cards	A6 (105 × 148 mm) 8 × 10 inches (203 × 254 mm)	Ink jet cards distributed by EPSON	0.0091 inch (0.23 mm) maximum	50 lb (188 g/m ²)
Canvas cloth	16.5 inches × 9.8 ft (420 mm × 3 m)	Canvas cloth distributed by EPSON	—	—
Banner paper	8.3 to 16.5 inches × 16.4 ft (210 to 420 mm × 5 m)	Roll banner paper distributed by EPSON	0.003 to 0.004 inch (0.08 to 0.1 mm)	17 to 22 lb (64 to 82 g/m ²)
Back light film	A2 (420 × 594 mm)	Back light film distributed by EPSON	0.0051 to 0.0055 inch (0.13 to 0.14 mm)	—

Specifications

Paper type	Size	Paper types	Thickness	Weight
Continuous paper	Minimum size each sheet: 4 to 16 × 4 inches (101.6 to 406.4 × 101.6 mm)	Plain paper	0.0025 to 0.0039 inch (0.065 to 0.1 mm)	14 to 22 lb (52 to 82 g/m ²)
Continuous label paper	Minimum size each backing sheet: 4 to 16 × 4 inches (101.6 to 406.4 × 101.6 mm) Minimum label size: 2.5 × 0.94 inches (63.5 × 23.9 mm)	Plain continuous label paper	Maximum total thickness: 0.0079 inch (0.2 mm) Maximum label thickness: 0.0047 inch (0.12 mm)	—



Note:

Since the quality of any particular brand or type of paper may be changed by the manufacturer at any time, EPSON cannot attest to the quality of any non-EPSON brand or type of paper. Always test samples of paper stock before purchasing large quantities or printing large jobs.

Poor quality paper may reduce print quality and cause paper jams and other problems. If you encounter problems, switch to a higher grade of paper.

Ink jet paper, envelopes, glossy film, glossy paper, transparencies, self adhesive sheets, back light film, and canvas cloth are usable only under these conditions:

Temperature: 59 to 77 °F (15 to 25 °C)

Humidity: 40 to 60% RH

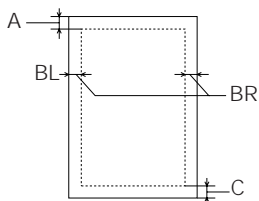
EPSON Photo Quality Glossy Film and Photo Quality Self Adhesive Sheets should be stored under these conditions:

Temperature: 59 to 86 °F (15 to 30 °C)

Humidity: 20 to 60% RH

Printable areas

Single sheets and index cards



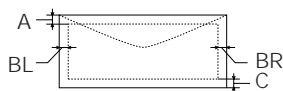
- A: The minimum top margin is 0.12 inch (3.0 mm).
- BL: The minimum left margin is 0.12 inch (3.0 mm); except for A3 landscape, A2 portrait, US B landscape, and US C portrait, which are 0.2 inch (5 mm).
- BR: The minimum right margin is 0.12 inch (3.0 mm); except for A3 landscape and A2 portrait, which are 0.2 inch (5 mm), and US B landscape and US C portrait, which are 0.43 inch (11 mm).
- C: The minimum bottom margin is 0.55 inch (14.0 mm).



Note:

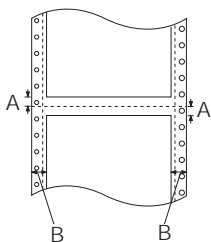
The maximum printable width is 16.3 inches (416 mm) regardless of the paper size or feeder you use.

Envelopes



- A: The minimum top margin is 0.33 inch (8.5 mm).
- BL, BR: The minimum left and right margins are 0.12 inch (3.0 mm).
- C: The minimum bottom margin is 0.55 inch (14.0 mm).

Continuous paper



- A: The minimum top and bottom margins above and below the perforations are 0.35 inch (9.0 mm).
- B: The minimum right and left margins are 0.51 inch (13 mm).



Note:
The maximum printable width is 15 inches (381 mm).

Ink Cartridges

Specification	Black (S020118)	Cyan (S020130)	Magenta (S020126)	Yellow (S020122)
Print capacity*	3800 pages/A4 (ISO/IEC 10561 Letter Pattern at 360 dpi)	2100 pages (A4, 360 dpi, 5% duty each color)		
Cartridge life	2 years from production date, if unopened			
Storage temperature	-22 to 104 °F (-30 to 40 °C) 1 month at 104 °F (40 °C)			
Transit temperature	-22 to 122 °F (-30 to 50 °C) 1 month at 104 °F (40 °C) 120 hours at 122 °F (50 °C)	-22 to 140 °F (-30 to 60 °C) 1 month at 104 °F (40 °C) 120 hours at 122 °F (50 °C)		
Freezing temperature**	3.2 °F (-16 °C)	-1.3 °F (-18.5 °C)	-5.8 °F (-21 °C)	-0.4 °F (-18 °C)
Dimensions	2.0 (W) × 5.5 (D) × 4.2 (H) inches 25.1 (W) × 139.6 (D) × 105.3 (H) mm			

* The print capacity may vary, depending on how often you clean the print head.

** It thaws and is usable after approximately 3 hours at 77 °F (25 °C).



Caution:
To ensure good results, use genuine EPSON ink cartridges. Other products may cause damage to your printer not covered by EPSON's warranty.

Don't use an ink cartridge if the date on the package has expired.

Specifications

Mechanical

Paper feed method	Friction, tractor feeder
Paper path	Sheet feeder, front entry Manual feeder, rear entry Tractor feeder, rear entry
Sheet feeder capacity	100 sheets of 17 lb (64 g/m ²) paper For detailed information, see Chapter 3.
Total print volume	75,000 pages (A3, text only)
Dimensions	
Width	31.9 inches (810 mm)
Depth	22.3 inches (565 mm) maximum
Height	9.4 inches (240 mm)
Weight	37.8 lb (17.2 kg) without the ink cartridges

Electrical

Specification	120V Model	220–240V Model
Input voltage range	103.5 to 132V	198 to 264V
Rated frequency range	50 to 60 Hz	
Input frequency range	49.5 to 60.5 Hz	
Rated current	0.7A	0.4A
Power consumption	Approx. 21W (ISO/IEC 10561 Letter Pattern)	



Note:
Check the label on the back of the printer for your printer's voltage.

Environmental

Temperature	Operation: 50 to 95 °F (10 to 35 °C) Storage: -4 to 140 °F (-20 to 60 °C), stored in shipping container 1 month at 104 °F (40 °C) 120 hours at 140 °F (60 °C)
Humidity	Operation: 20 to 80% RH Storage: 5 to 85% RH (stored in shipping container, without condensation)

Safety Approvals

Safety standards
EMC

UL 1950 with D3, CSA C22.2 950 with D3
FCC part 15 subpart B class B

Interfaces

Parallel interface

Forward channel

Data format: 8-bit parallel, IEEE-1284 compatibility mode
Synchronization: $\overline{\text{STROBE}}$ pulse
Handshake timing: BUSY and $\overline{\text{ACKNLG}}$ signals
Signal level: TTL compatible
Connector: 36-pin 57-30360 Amphenol connector or equivalent

Reverse channel

Transmission mode: IEEE-1284 Nibble mode
Synchronization: Refer to the IEEE-1284 specification
Handshaking: Refer to the IEEE-1284 specification
Signal level: IEEE-1284 Level 1 device
Data transmission timing: Refer to the IEEE-1284 specification
Adaptable connector: 36-pin 57-30360 Amphenol Connector or equivalent

Serial interface

Standard: Based on RS-423
Synchronization: Synchronous
Bit rate: Maximum 1.8 Mbps
Handshaking: X-ON/X-OFF, DTR protocol

Word format:

Data bit: 8 bits
Parity bit: None
Start bit: 1 bit
Stop bit: 1 bit

Connector: 8-pin mini-circular connector

Recommended cable: Apple System Peripheral-8 serial cable
(preferably Belkin brand)

Glossary

banding	The horizontal lines that sometimes appear when printing graphics. See also <i>MicroWeave</i> .
buffer	The portion of the printer's memory used to store data before printing it.
character table	A collection of letters, numbers, and symbols that provides you with the characters used in a particular language.
characters per inch (dpi)	A measure of the size of text characters, sometimes referred to as pitch.
CMYK	Cyan (blue-green), magenta, yellow, and black. These colored inks are used to create the subtractive system array of printed colors.
ColorSync	Macintosh software that is designed to help you get WYSIWIG (what you see is what you get) output. This software prints colors as you see them on your screen.
default	A value or setting that takes effect when the equipment is turned on, reset, or initialized.
dithering	A halftoning method in which dots are arranged in an orderly pattern. Dithering works best for printing images with solid colors, such as charts and graphs. See also <i>halftoning</i> .
dpi	Dots per inch. The dpi measures the resolution. See also <i>resolution</i> .
driver	A software program that sends instructions to a computer device to tell it what to do. For example, your printer driver accepts print data from your word processing application and sends instructions to the printer on how to print this data.

- Error Diffusion** This halftoning setting smooths out edges by randomly placing dots of varying colors.
- ESC/P** Abbreviation for Epson Standard Code for Printers. This system of commands gives you control of your printer from your computer. It is standard for all EPSON printers and supported by most application programs for personal computers.
- ESC/P 2** The enhanced version of the ESC/P printer command language. Commands in this language produce laser-like features, such as scalable fonts and enhanced graphics printing.
- Finest Detail** This printer driver setting automatically makes your printed images sharper and clearer. Be aware that this may increase the time required for printing.
- font** A style of type designated by a name.
- grayscale** A scale of shades of gray from black to white. Grayscale is used to represent colors when printing with black ink only.
- halftoning** A method of using dot patterns to represent an image. Halftoning makes it possible to produce varying shades of gray using only black dots, or a nearly infinite array of colors using only a few colors of dots.
- initialization** Returns the printer to its defaults (fixed set of conditions). This happens every time you turn on or reset the printer.
- ink jet** A method of printing in which each letter or symbol is formed by precisely spraying ink onto paper.
- interface** The connection between the computer and a peripheral such as a printer. Some printers have two interfaces, parallel and serial. A parallel interface transmits data one byte, or eight bits, at a time. A serial interface transmits data one bit at a time.
- ips** Inches per second. This scale is used to measure the printing speed.

media	Materials upon which data is printed, such as envelopes, plain paper, special paper, and transparencies.
MicroWeave	Printing technology that produces images in fine increments to reduce the possibility of banding. See also <i>banding</i> .
monochrome	This means printing with only one color of ink, which is generally black ink.
parallel interface	See <i>interface</i> .
print queue	Print jobs that are sent to the printer while it is busy are stored in a waiting line, or print queue, until they can be printed.
print server	The computer connected to the printer. It receives the jobs and then distributes them to the assigned printer. It also holds extra print jobs while the printer is busy. See also <i>print queue</i> .
printable area	The area of a page on which the printer can print. It is smaller than the physical size of the page due to margins.
printer driver	See <i>driver</i> .
proportional printing	Printing in which the width of the character varies from character to character. For example, a capital <i>W</i> receives much more space than a lowercase <i>i</i> . The result looks more like a typeset book than a typewritten draft.
reset	To return a printer to its defaults either by sending a command, an $\overline{\text{INIT}}$ signal or by turning the printer off and then back on.
resolution	The number of dots per inch used to represent an image.
RGB	Red, green, and blue. These colors, in phosphors irradiated by the computer monitor's electron gun, are used to create the additive array of screen colors.
scalable fonts	Fonts that can be enlarged or reduced. Non-scalable fonts are called bitmap fonts and can't change in size.
screen pattern	This feature prints shaded areas as they appear on screen, instead of printing them as halftones.

Glossary

- serial interface** See *interface*.
- spool** The process by which the printer driver converts the print data into codes that your printer understands. This data is then sent to the printer directly or to the print server.
- Spool Manager** An EPSON software program that converts print data into codes that your printer understands. See also *spool*.
- Status Monitor** An EPSON software program that displays the printer's status, such as paper out or the amount of ink remaining before printing.
- subtractive colors** Colors produced by pigments that absorb some colors of light and reflect others. See also *CMYK*.

- A**
- Accessories, EPSON, 6
 - Adhesive sheets, *see* Self adhesive sheets
 - Adjust lever, *see* Thickness lever
 - Adjusting
 - cut-off position, 3-29, 3-32
 - loading position, 3-21
 - margins, 3-12, 3-15, 3-20
 - tear-off position, 3-22
 - Advanced mode, 2-1 to 2-3, 2-6
 - Advanced settings
 - custom, 2-4 to 2-13
 - predefined, 2-1 to 2-4
 - AGM settings, 5-6, 5-19
 - Aligning print heads
 - control panel, 6-8 to 6-9
 - DOS utility, 5-7 to 5-8
 - problems, 7-5
 - utility, 6-7
 - Alternate Graphics Mode, *see* AGM settings
 - Assigning name to printer, 4-15
 - Auto
 - CR setting, 5-6
 - I/F wait time setting, 5-5
 - line feed setting, 5-6
 - sheet feeder, *see* Paper tray
 - tear-off, 3-16, 3-19, 3-22, 5-6
 - AutoCAD driver, 1, 5-1
 - Automatic color adjustment, 2-9
 - Automatic mode, 1-3, 1-10, 2-6, 2-9, 3-5
- B**
- Back light film
 - choosing, 3-3
 - flipping image, 2-7
 - loading, 3-33
 - printing from Macintosh, 3-35 to 3-36
 - printing from Windows, 3-34 to 3-35
 - printing on, 3-4
 - specifications, C-3
 - Back lit display, *see* Back light film
 - Background printing
 - Macintosh, 1-11, 4-7, 4-16, 7-11, 7-12, 7-17
 - Windows, 4-1
 - background printing, 1-11
 - Banding, 7-4 to 7-5
 - Banner mode, 3-24, 3-29, 3-32, 3-33, 5-7
 - Banners
 - choosing, 3-3
 - loading roll paper, 3-23 to 3-26
 - optional paper cutter, 3-23
 - paper specifications, C-3
 - printing from Macintosh, 3-30 to 3-31
 - printing from Windows, 3-26 to 3-29
 - removing roll paper, 3-32 to 3-33
 - Blank pages, 7-18
 - Blurry printouts, 7-6
 - Brightness setting, 2-9
 - Built-in sheet feeder, *see* Paper tray
 - Buttons, control panel, 1-14, 1-16

C CAD files, B-2
Cancelling
 print jobs, 1-7
 printer software changes, 1-4,
 1-9
Canvas cloth, *see* Ink Jet Canvas
 Cloth
Cards, *see* Photo Quality Ink Jet
 Cards
Character tables, 5-6, 5-8 to 5-17
Characters, garbled, 7-17
Cleaning
 print heads, 6-1 to 6-3
 printer, 6-9
 sheets, special media, 3-5 to 3-6
Coarse Dithering setting, 2-6
Coax interface board, A-1
Collate setting, 1-4
Color
 Adjustment modes, 2-9
 custom settings, 2-8 to 2-10
 problems, 7-5 to 7-7
Colorimetric setting, 2-11
ColorSync, 2-3, 2-8, 2-10 to 2-11
Commands, printer, 5-16 to 5-19
Communication problems,
 7-2 to 7-3
CompuServe, 7
Continuous label paper
 loading, 3-16
 Media Type setting, 3-3
Continuous paper
 choosing settings for, 3-3
 page length setting, 5-6
 printing on, 3-15 to 3-19
 removing, 3-19 to 3-20
 specifications, C-4 to C-5
 switching to single sheets, 3-22
Contrast setting, 2-9
Control codes, 5-16 to 5-19, C-1

Control panel
 buttons, 1-8, 1-14, 1-16
 default-setting mode, 5-3 to 5-7
 lights, 1-14 to 1-15, 7-8 to 7-10
 Media Type setting, 1-3, 1-11,
 2-3
 print head alignment,
 6-8 to 6-9
 print head cleaning, 6-3
 using, 1-14 to 1-16, 7-1 to 7-2,
 7-8 to 7-10
Copies setting, 1-4
Current Settings box, 1-4, 1-11,
 2-4
Custom paper size, 3-23, 3-28,
 3-30
Custom settings
 changing, 2-13
 color, 2-8 to 2-10
 deleting, 2-13
 print quality, 2-4 to 2-7
 project types, 2-3
 refining, 2-13
 saving, 2-12
 special effects, 2-4 to 2-7
Customer Care Centers, 5
Cut-off position, 3-32
Cyan setting, 2-9

D Default printer options, setting,
 1-5 to 1-7
Default-setting mode, 5-3 to 5-7
Deleting print job, 4-3
Despooler, 1-7 to 1-8, 4-5
Dithering settings, 2-6

DOS

- AutoCAD driver, 1
- changing printer settings, 5-3 to 5-7
- character tables, 5-8 to 5-17
- default-setting mode, 5-3 to 5-7
- print head alignment utility, 5-7 to 5-8
- printer commands, 5-17 to 5-19
- problems, 7-17
- selecting printer software for, 5-1 to 5-2
- Download service, EPSON, 6
- Draft printing, 2-3, 2-6
- Driver, help, 1-12 to 1-13

E

- Economy setting, 2-3, 2-6, 7-6
- Electrical specifications, C-6
- Empty color ink cartridge, printing with, 6-6, 7-7
- Emulation, 5-5, 5-17 to 5-19
- ENERGY STAR, 7
- Energy-saving tips, 7
- Envelopes
 - Media Type setting, 3-3
 - printing on, 3-3, 3-10, 3-14
 - specifications, C-3, C-5
 - thickness lever setting, 3-7, 3-13
- Environmental specifications, C-6
- EPCALIB utility, 5-7 to 5-8
- EPSON
 - Accessories, 6
 - Customer Care Centers, 5
 - Download Service, 6
 - Electronic Support Services, 6 to 7
 - FaxAdvice, 6
 - help, 5 to 7
 - media, 3-3 to 3-4
 - Monitor2 utility, 4-6 to 4-7
 - Namer utility, 4-15
 - Plot!, B-1 to B-4
 - Stylus PowerPlug, 1-9
 - World Wide Web site, 6

- Error Diffusion setting, 2-6
- ESC (^ command, 5-17
- ESC R command, 5-16
- ESC/P 2, 5-5, 5-17 to 5-19
- ESC/P 2, 5-1
- Ethernet interface board, A-1 to A-2
- Extension module, Power Macintosh, 1-9

F

- Faint printouts, 7-6, 7-7
- FaxAdvice, EPSON, 6
- Film, *see* Photo Quality Glossy Film
- Fine Dithering setting, 2-6
- Finest Detail setting, 2-7
- Flip Horizontal setting, 2-7, 3-4, 3-35, 3-36, 7-18
- Fonts, 5-5, C-2

G

- Garbled characters, 7-17
- Glossy media, *see* Photo Quality Glossy Paper, Photo Quality Glossy Film
- Graph-type projects, settings for, 2-3

H

- Halftoning setting, 2-6
- Head Cleaning utility, 6-2
- Help
 - EPSON, 5 to 7
 - online, 1-12 to 1-13
- Hex dump, printing, 7-3
- High quality glossy paper, *see* Photo Quality Glossy Film
- High Quality Ink Jet Paper
 - choosing, 3-2
 - printing on, 3-4
 - specifications, C-3
- High Speed setting, 2-7
- Horizontal banding, 7-4
- Host system, network setup, 4-12
- HPGL files, printing, B-1 to B-4

I

- I/F mode, 5-5
- IBM XL24E emulation, 5-5, 5-19
- ICM (Image Color Matching), 2-3, 2-8 to 2-10
- Improving print quality, 7-4 to 7-7
- Incorrect
 - characters, 7-17
 - margins, 7-18
- Index cards, *see* Photo Quality Ink Jet Cards
- Ink
 - monitoring level, 1-7 to 1-8, 4-5, 4-8
 - setting, 1-3, 1-11
 - 2-6
 - Status, 1-8
- Ink cartridge
 - printing with empty color, 6-6
 - problems, 7-6, 7-10
 - replacing, 6-4 to 6-5
 - specifications, C-5
- Ink Jet Back Light Film
 - choosing, 3-3
 - flipping image, 2-7
 - loading, 3-33
 - printing from Macintosh, 3-35 to 3-36
 - printing from Windows, 3-34 to 3-35
 - specifications, C-3
- Ink Jet Canvas Cloth
 - choosing, 3-3
 - Media Type setting, 3-4
 - printing on, 3-23 to 3-31
 - removing, 3-32 to 3-33
 - specifications, C-3
- Ink jet cards
 - choosing, 3-2
 - printing on, 3-4, 3-11
 - specifications, C-3

- Ink jet paper
 - choosing, 3-2
 - printing on, 3-4
 - specifications, C-3
- Ink Jet Transparencies
 - choosing, 3-2
 - printing on, 3-4
 - specifications, C-3 to C-4
- Interface (I/F) mode, 5-6, A-4
- Interface boards
 - cables, A-2
 - installing, A-3 to A-4
 - parallel, A-1
 - problems, 7-9
 - removing, A-4
 - serial, A-2
- Interface specifications, C-7
- International character sets, 5-6, 5-16
- Iron-On Transfer Paper
 - choosing, 3-3
 - printing on, 2-7, 3-4
- Italic character set, 5-6, 5-15

J

- Jammed paper, 1-14, 7-9, 7-16

L

- Labels
 - continuous label paper, 3-3, 3-16
 - Media Type setting, 3-3
 - specifications, C-4
 - tear-off position, 3-22
- Landscape setting, 1-4, 1-9
- Lights, control panel, 1-14 to 1-15, 7-1, 7-8 to 7-10
- Line spacing, C-1
- Loading position, adjusting, 3-21
- LocalTalk interface board,
 - A-1 to A-2

- M** Macintosh, 1-11
 background printing, 4-7, 4-16
 ColorSync, 2-3, 2-8,
 2-10 to 2-11
 interface boards, A-2
 interface specifications, C-7
 managing print jobs from,
 4-6 to 4-9
 Monitor2, 4-7
 network printing, 4-15 to 4-16
 online help, 1-13
 printing from, 1-9 to 1-11
 problems, 7-11 to 7-13, 7-17
 Magenta setting, 2-9
 Maintaining printer, 6-1 to 6-9
 Managing print jobs
 Macintosh, 4-6 to 4-9
 Windows, 1-7 to 1-8, 4-1 to 4-6
 Manual feeder, 3-12 to 3-15
 Margins
 adjusting, 3-12, 3-15, 3-20
 problems, 7-18
 specifications, C-4 to C-5
 Mechanical specifications, C-6
 Media Check, 1-8
 Media Type setting, 1-3, 1-11, 2-3,
 2-6, 3-3
 Memory problems, 7-8,
 7-11 to 7-12, 7-17
 Messenger service, Windows NT,
 1-8, 4-6
 Micro Adjust buttons, 3-20 to 3-22
 MicroWeave setting, 2-7
 Mirror images, 2-7, 3-4, 3-35,
 3-36, 7-18
 Monitor2 utility, 4-6 to 4-7
 Monitoring ink level, 1-7 to 1-8,
 4-5, 4-8
 More Settings dialog box,
 2-4 to 2-11
 Moving printer, 6-9 to 6-10
- N** Namer utility, EPSON, 4-15
 Network
 I/F mode setting, 5-6
 path, 4-13 to 4-14
 Network printing
 Macintosh, 4-15 to 4-16
 problems, 7-6
 Windows, 4-9 to 4-14
 New Hardware Found window,
 7-10
 No Color Adjustment setting, 2-9
 No Halftoning setting, 2-6
 Nozzle Check
 pattern, 6-4, 7-3
 utility, 6-2 to 6-4
- O** Online driver help, 1-12 to 1-13
 Optional interfaces, A-1 to A-4
 Orientation setting, 1-4, 1-9
- P** Page length setting, 5-6
 Page Setup dialog box, 1-9
 Paper
 coated, 3-1
 glossy, *see* Photo Quality Glossy
 Paper
 handling problems,
 7-13 to 7-16
 jams, 1-14, 7-16
 loading guidelines, 3-3 to 3-6
 menu, 1-4, 1-9
 monitoring amount, 1-7 to 1-8
 plain, 3-1
 specifications, C-3 to C-5
 tray, 3-7 to 3-12
 Paper size, custom, 3-23
 Paper Status, 1-8
 Paper-release lever, 1-14, 3-16,
 3-21, 3-23, 3-24, 3-33

- Parallel I/F transfer rate setting, 5-7, 7-17
- Parallel interface boards, A-1
- Pen colors, B-2
- Perceptual setting, 2-11
- Photo Quality Banner Paper
 - choosing, 3-3
 - loading, 3-23 to 3-26
 - optional paper cutter, 3-23
 - printing on, 3-26 to 3-31
 - removing, 3-32 to 3-33
- Photo Quality Glossy Film
 - choosing, 3-2
 - printing on, 3-4
 - specifications, C-3 to C-4
- Photo Quality Glossy Paper
 - choosing, 3-2
 - printing on, 3-4
 - specifications, C-3
- Photo Quality Ink Jet Cards
 - choosing, 3-2
 - printing on, 3-4, 3-11
 - specifications, C-3
- Photo Quality Ink Jet Paper
 - choosing, 3-2
 - printing on, 3-4
 - specifications, C-3
- Photo Quality Self Adhesive Sheets
 - choosing, 3-3
 - printing on, 3-4
 - specifications, C-3
- Photo setting, 2-3
- Photo-realistic color adjustment, 2-9
- Pitch setting, 5-5
- Plotter files, B-1 to B-4
- Portrait setting, 1-4, 1-9
- Power Macintosh Extension module, 1-9
- Predefined advanced settings, 2-1 to 2-4
- Print direction setting, 5-5
- Print head alignment
 - control panel, 6-8 to 6-9
 - DOS utility, 5-7 to 5-8
 - utility, 6-7, 7-5
- Print job, deleting, 4-3
- Print quality problems, 7-4 to 7-7
- Print Quality setting, 2-6
- Print queue, 4-2
- Print using a Temporary File setting, 2-7
- Printable area, 1-4, C-4 to C-5
- Printer
 - cleaning, 6-9
 - commands, 5-16 to 5-19
 - stand, 9
 - test, 7-2 to 7-3
 - transporting, 6-9 to 6-10
- Printer driver, accessing
 - Control Panel, 1-5 to 1-7
 - Macintosh applications, 1-9
 - Windows applications, 1-2
- Printer software, using, 1-12 to 1-13
- Printer status
 - Macintosh, 4-6 to 4-9
 - Windows, 1-7 to 1-8, 4-4 to 4-5
- Problems
 - communication, 7-2 to 7-3
 - diagnosing, 7-1 to 7-2
 - paper handling, 7-13 to 7-16
 - print quality, 7-4 to 7-7
 - printing, 7-8 to 7-13
 - solving, 7-1 to 7-18
 - unexpected printout results, 7-17 to 7-18
- Q** Quality/Speed slider, 1-4, 1-11, 2-2
- R** Remote systems, network setup, 4-13
- Removing driver, 7-13
- Rendering Intent setting, 2-11
- Replacing ink cartridges, 6-4 to 6-5, 7-6, 7-10
- Resolution, 2-6, C-1
- Reverse order setting, 1-4

Roll paper
 choosing, 3-3
 loading, 3-24 to 3-26
 printing on, 3-26 to 3-33
 specifications, C-3

S

Safety
 approvals, C-7
 instructions, 8 to 10
 Saturation setting, 2-9, 2-11
 Self adhesive sheets
 choosing, 3-3
 loading, 3-4
 Media Type setting, 3-4
 specifications, C-3
 Self test, 7-2 to 7-3
 Serial interface boards, A-1 to A-2
 Service, 5 to 7
 Sheet feeder, *see* Manual feeder,
 Paper tray
 Single sheets
 printing on, 3-3, 3-6 to 3-15
 switching to continuous paper,
 3-22
 Skip over perforation setting, 5-6
 Slashed zero, 5-3, 5-6
 Smear printouts, 7-6 to 7-7
 Special effects settings, 2-4 to 2-7
 Specifications
 electrical, C-6
 environmental, C-6
 ink cartridge, C-5
 interface, C-7
 mechanical, C-6
 paper, C-3 to C-5
 printing, C-1 to C-2
 Spool directory, 4-3
 Spool Manager
 problems, 7-8, 7-11, 7-17
 using, 4-2 to 4-4
 Status Monitor
 Macintosh, 4-8
 problems, 7-1, 7-11
 Windows, 1-8, 4-4 to 4-5
 Support, EPSON, 5 to 7

System requirements
 Macintosh, 3
 Windows, 2

T

Tear-off position
 adjusting, 3-20, 3-22
 for labels, 3-22
 Technical specifications,
 C-1 to C-7
 Temporary file, print setting, 2-7
 Temporary print job files, 4-2
 Testing printer, 7-2 to 7-3
 Text/Graph setting, 2-3
 Thickness lever, 3-7, 3-13, 7-4
 Transfer paper, *see* Iron-On
 Transfer Paper
 Transparencies
 choosing, 3-2
 printing on, 3-4
 specifications, C-3 to C-4
 Transporting printer, 6-9 to 6-10
 Troubleshooting, 7-1 to 7-18
 Twinax interface board, A-1

U

User Defined paper size, 3-28
 Utilities
 EPCALIB, 5-7 to 5-8
 EPSON Monitor2, 4-6 to 4-7
 EPSON Namer, 4-15
 Head Cleaning, 6-2
 Nozzle Check, 6-2 to 6-4
 Print Head Alignment, 6-7
 Status Monitor, *see* Status
 Monitor

V

Vertical banding, 7-5
 Vertical lines, misaligned, 2-7,
 5-7 to 6-9, 7-5
see also Print Head Alignment
 Video/Digital Camera setting, 2-3,
 2-10
 Vivid color adjustment, 2-9
 Voltage, C-6

- W** What's This prompt, 1-2, 1-12, 1-13
- Windows
 - checking printer status, 1-7 to 1-8
 - managing print jobs from, 4-1 to 4-6
 - network printing, 4-9 to 4-14
 - online help, 1-12
 - printing from, 1-1 to 1-5
 - problems, 7-10 to 7-11
 - setting default printer options, 1-5 to 1-6
 - Spool Manager, 4-2 to 4-4
- Windows 95, ICM, 2-8 to 2-10
- Windows NT
 - checking printer status, 1-8
 - network printing, 4-9 to 4-11
 - online help, 1-13
 - setting default printer options, 1-6 to 1-7
- World Wide Web site, EPSON, 6

- X** XL24E emulation, IBM, 5-5, 5-19

- Y** Yellow setting, 2-9

- Z** Zero setting, 5-6